

CGPT-19/9.5-0-SP ✓ ACTIVE

RAYCHEM | RAYCHEM CGPT

TE Internal #: 5069874011

Black, 2:1, Single Wall Tubing, Shrinks To .375 in [9.5 mm],
Irradiated Modified Polyolefin, .748 in [19 mm] Inner Diameter,
RAYCHEM CGPT

[View on TE.com >](#)



Heat Shrink Tubing > CGPT 2:1 Heat Shrink Tubing



Primary Product Color: **Black**

Wall Type: **Single Wall**

Expanded Inside Diameter (Min): **19 mm [.748 in]**

Recovered Inside Diameter (Max): **9.5 mm [.375 in]**

Shrink Ratio: **2:1**

[All CGPT 2:1 Heat Shrink Tubing \(257\)](#)

Features

Product Type Features

Wall Type	Single Wall
-----------	-------------

Electrical Characteristics

Operating Voltage (Max)	.6 kV
-------------------------	-------

Body Features

Fluid Type	Gasoline, Hydraulic Fluid, Lubricating Oil
Primary Product Color	Black
Shrink Ratio	2:1
Primary Product Material	Irradiated Modified Polyolefin
Flexibility	Flexible

Dimensions

Recovered Wall Thickness (Tolerance)	.15 mm[.006 in]
Recovered Wall Thickness (Nominal)	.75 mm[.03 in]
Expanded Inside Diameter (Min)	19 mm[.748 in]
Recovered Inside Diameter (Max)	9.5 mm[.375 in]
Tubing Size Range	9.5 - 19 mm[.375 - .748 in]

Usage Conditions



Shrink Temperature (Min)	80 °C
Tubing Flammability Type	Flame-Retardant
Operating Temperature Range	-40 - 135 °C
Recovery Temperature	120 °C

Operation/Application

Mechanical Resistance	Fluids, Mechanical Damage, Strain Relief
-----------------------	--

Product Availability

Applicable Region	Asia, EMEA
-------------------	------------

Packaging Features

Packaging Method	Box
------------------	-----

Other

Meets Low Outgassing Requirements	No
Product Source	Czech Republic

Product Compliance

[For compliance documentation, visit the product page on TE.com>](#)

EU RoHS Directive 2011/65/EU	Compliant
EU ELV Directive 2000/53/EC	Compliant
China RoHS 2 Directive MIIT Order No 32, 2016	No Restricted Materials Above Threshold
EU REACH Regulation (EC) No. 1907/2006	Current ECHA Candidate List: JAN 2024 (240) Candidate List Declared Against: JAN 2024 (240) Does not contain REACH SVHC
Halogen Content	Not Low Halogen - contains Br or Cl > 900 ppm.
Solder Process Capability	Not applicable for solder process capability

Product Compliance Disclaimer

This information is provided based on reasonable inquiry of our suppliers and represents our current actual knowledge based on the information they provided. This information is subject to change. The part numbers that TE has identified as EU RoHS compliant have a maximum concentration of 0.1% by weight in homogenous materials for lead, hexavalent chromium, mercury, PBB, PBDE, DBP, BBP, DEHP, DIBP, and 0.01% for cadmium, or qualify for an exemption to these limits as defined in the Annexes of Directive 2011/65/EU (RoHS2). Finished electrical and electronic equipment products will be CE marked as required by Directive 2011/65/EU. Components may not be CE marked. Additionally, the part numbers that TE has identified as EU ELV compliant have a maximum concentration of 0.1% by weight in homogenous materials for lead, hexavalent chromium, and mercury, and 0.01% for cadmium, or qualify for an exemption to these limits as defined in the Annexes of Directive 2000/53/EC (ELV). Regarding the REACH Regulation, the information TE provides on SVHC in articles for this part number is based on the latest European Chemicals Agency (ECHA) 'Guidance on

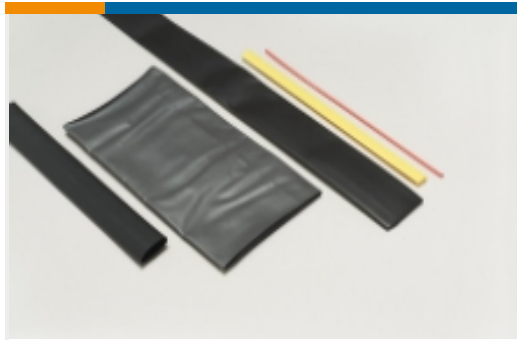
requirements for substances in articles' posted at this URL: <https://echa.europa.eu/guidance-documents/guidance-on-reach>

Compatible Parts



TE Part # EG1114-000
CV1981-ST-230V1600W-EU

Also in the Series | RAYCHEM CGPT

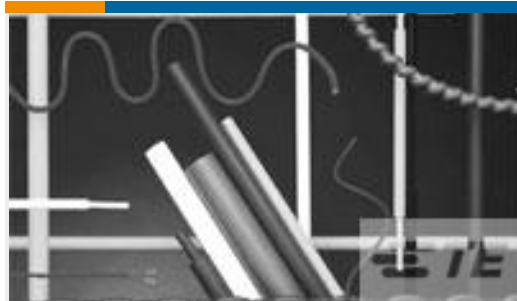


Heat Shrink Tubing(342)



Power Cable Tubing & Accessories(93)

Customers Also Bought



TE Part # 5068114005
CGPT-25.4/12.7-2-SP



TE Part # 2336396-2
ASSEMBLY, LIGHT CONTROLLER
BASE, W/VENT



TE Part # T2030001008-000
CEM-0.75



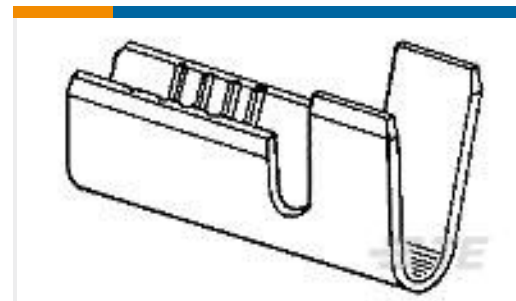
TE Part # 2-965421-1
TAB HSG 2,8 2POS



TE Part # 520971-4
ULTRA-POD 250 ASY REC 18-14 AWG
TPBR



TE Part # 1478484-1
STATOR TERMINAL



TE Part # 1742451-1
AMPLIVAR WIRE PIN 600-1400 020BRS



TE Part # 7-1768018-3
EET-2551P-8A



TE Part # EG8105-000
VERSAFIT-1/4-0-15MM

Documents

Product Drawings

[CGPT-19/9.5-0-SP](#)

English

Datasheets & Catalog Pages

[CGPT Pages from 9-1773447-9](#)

English

Product Specifications

[Application Specification](#)

English