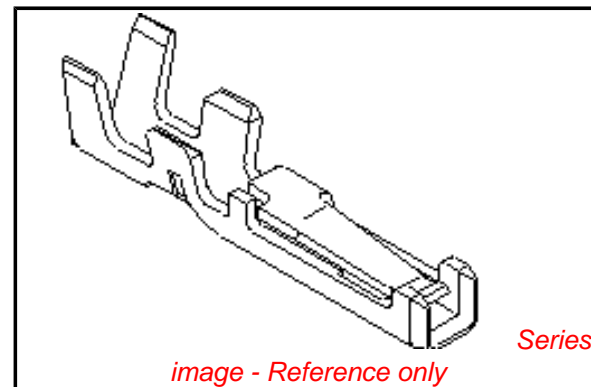


PLEASE CHECK WWW.MOLEX.COM FOR LATEST PART INFORMATION

Part Number: [50641-8141](#)
Status: **Active**
Overview: PanelMate™ 1.25mm (.049")
Description: PanelMate™ Crimp Terminal 50641, 28-30 AWG, Bag Gold (Au)

Documents:

Drawing (PDF)	Product Specification PS-51146-009 (PDF)
Product Specification PS-51146-001 (PDF)	Product Specification PS-51146-010 (PDF)
Product Specification PS-51146-006 (PDF)	Product Specification PS-51146-011 (PDF)
Product Specification PS-51146-007 (PDF)	Product Specification PS-51146-012 (PDF)
Product Specification PS-51146-008 (PDF)	RoHS Certificate of Compliance (PDF)



General

Product Family	Crimp Terminals
Series	50641
Application	Signal
Crimp Quality Equipment	Yes
MolexKits	Yes
Overview	PanelMate™ 1.25mm (.049")
Packaging Alternative	50641-8041 (Reel)
Product Name	PanelMate™
UPC	800754370691

Physical

Gender	Female
Material - Metal	Phosphor Bronze
Material - Plating Mating	Gold
Material - Plating Termination	Gold
Net Weight	20.001/mg
Packaging Type	Bag
Plating min - Mating	0.203µm
Plating min - Termination	0.203µm
Termination Interface: Style	Crimp or Compression
Wire Insulation Diameter	0.50-0.90mm
Wire Size AWG	28, 30
Wire Size mm²	N/A

Material Info

Reference - Drawing Numbers

Product Specification	PS-51146-001, PS-51146-006, PS-51146-007, PS-51146-008, PS-51146-009, PS-51146-010, PS-51146-011, PS-51146-012, RPS-51146-002, RPS-51146-003, RPS-51146-004, RPS-51146-007, RPS-51146-008, RPS-51146-009, RPS-51146-013, RPS-51146-015, RPS-51146-017, RPS-51146-019, RPS-51146-022, RPS-51146-023, RPS-51146-024, RPS-51146-025, RPS-51146-026, RPS-51146-027, RPS-51146-029, RPS-51146-031, RPS-51146-034, RPS-51146-035
Sales Drawing	SD-50641-001

EU RoHS

ELV and RoHS Compliant
REACH SVHC
 Not Reviewed
Low-Halogen Status
Low-Halogen

China RoHS



Need more information on product environmental compliance?

Email productcompliance@molex.com
 For a multiple part number RoHS Certificate of Compliance, [click here](#)

Please visit the [Contact Us](#) section for any non-product compliance questions.

Search Parts in this Series

[50641Series](#)

Application Tooling | FAQ

Tooling specifications and manuals are found by selecting the products below. Crimp Height Specifications are then contained in the Application Tooling Specification document.

Global

Description	Product #
Hand Crimp Tool, UL0638117900 Approved	
Extractor Tool for 1.25mm Pitch Wire-to-Board Crimp Terminal	0638133400

Japan

Description	Product #
Hand Crimper	0573525000
Hand Crimper	0573525100

PLEASE CHECK WWW.MOLEX.COM FOR LATEST PART INFORMATION