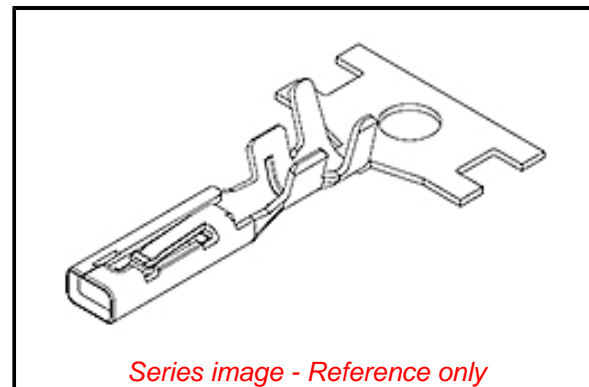


**PLEASE CHECK WWW.MOLEX.COM FOR LATEST PART INFORMATION**

**Part Number:** [5050731100](#)  
**Status:** **Active**  
**Overview:** TermiMate One-Circuit Terminal-Style Connector System  
**Description:** TermiMate Crimp Terminal Receptacle, 1.20mm Mated Height

**Documents:**

<a href="#">3D Model</a>	<a href="#">Application Specification AS-505071-001-001 (PDF)</a>
<a href="#">Drawing (PDF)</a>	<a href="#">Packaging Specification SPK-505073-001-001 (PDF)</a>
<a href="#">3D Model (PDF)</a>	<a href="#">RoHS Certificate of Compliance (PDF)</a>
<a href="#">Product Specification PS-505071-001-001 (PDF)</a>	



**General**

Product Family	Crimp Terminals
Series	<a href="#">505073</a>
Application	Signal, Wire-to-Board
Comments	See Product Specification for maximum current rating by wire AWG
Crimp Quality Equipment Overview	Yes <a href="#">TermiMate One-Circuit Terminal-Style Connector System</a>
Product Name	TermiMate
UPC	887191571041

**Physical**

Durability (mating cycles max)	20
Gender	Female
Material - Metal	Copper Alloy
Material - Plating Mating	Tin
Net Weight	54.000/mg
Packaging Type	Reel
Plating min - Mating	0.406µm
Termination Interface: Style	Crimp or Compression
Wire Insulation Diameter	0.9-1.7mm
Wire Size AWG	22, 24, 26
Wire Size mm <sup>2</sup>	0.126-0.34

**Electrical**

Current - Maximum per Contact	3.0A
Voltage - Maximum	125V AC (RMS)/DC

**Material Info**

**Reference - Drawing Numbers**

Application Specification	<a href="#">AS-505071-001-001</a>
Application Tooling Documents	<a href="#">IS-0006E</a> , <a href="#">IS-0006J</a> , <a href="#">IS-0117E</a> , <a href="#">IS-0117JE</a> , <a href="#">IS-5781406000JE</a> , <a href="#">IS-5781406100JE</a>
Crimp Specification	<a href="#">CS-505073-001-001</a>
Packaging Specification	<a href="#">SPK-505073-001-001</a>
Product Specification	<a href="#">PS-505071-001-001</a>
Sales Drawing	<a href="#">5781406000</a> , <a href="#">5781406100</a> , <a href="#">SD-505073-001</a>

**EU ELV**

**Not Relevant**

**EU RoHS**

**Compliant**

**REACH SVHC**

Contained Per -  
D(2020)4578-DC (25  
June 2020)  
dihexyl phthalate  
(DnHP)  
ethylene thiourea  
di-n-pentyl phthalate  
(DPP)  
perfluorooctanoic acid  
disodium 3,3'-[[1,1'-  
biphenyl]-4,4'-  
diylbis(azo)  
diisopentylphthalate  
1,2-diethoxyethane  
dibutyltin dichloride  
1,3-propanesultone  
ammoniumpentadecafluorooctanoate  
disodium octaborate  
2-ethylhexyl 10-  
ethyl-4,4-dioctyl-7-  
oxo-8-oxa-3,  
2-(2H-benzotriazol-2-  
yl)-4,6-  
ditertpentylphenol  
2-(2H-benzotriazol-2-  
yl)-4-(tert-butyl)-6-  
(sec-b  
1,2-  
Benzenedicarboxylic  
acid, dihexyl ester,  
bra  
diisohexyl phthalate  
1,2-  
benzenedicarboxylic  
acid, dipentylester,  
bra  
n-pentyl-  
isopentylphthalate  
Boric acid

**China RoHS**

Zirconia  
Aluminosilicate  
Refractory Ceramic  
Fibr  
Nonadecafluorodecanoic  
acid (PFDA) and its  
sodiu  
Tris(4-nonylphenyl,  
branched and linear)  
phosphi  
Pyrene  
Dodecachloropentacyclo[12.2.1.16,9.02,13.05,10]o  
Perfluorononan-1-  
oic acid  
(2,2,3,3,4,4,5,5,6,6,7  
Methylhexahydrophthalic  
anhydride  
reaction mass of  
2-ethylhexyl 10-  
ethyl-4,4-dioct  
Perfluorohexane-1-  
sulphonic acid and its  
salts  
Lead sulfochromate  
yellow  
tris(2-chloroethyl)  
phosphate  
strontium chromate  
1,2-  
benzenedicarboxylic  
acid; di-C7-11-  
branched  
1,2-  
benzenedicarboxylic  
acid; di-C6-8-  
branched a  
bis(2-methoxyethyl)  
ether  
potassium  
hydroxyoctaoxidizincatedichromate(1-)  
pentazinc chromate  
octahydroxide  
bis(2-methoxyethyl)  
phthalate  
1,2-dimethoxyethane  
1,2-bis(2-  
methoxyethoxy)ethane  
bis(pentabromophenyl)  
ether  
diboron trioxide  
cadmium oxide (non-  
pyrophoric)  
cadmium sulphide  
orange lead  
lead  
cadmium  
lead dinitrate  
lead oxide sulfate  
pentalead tetraoxide  
sulphate  
dioxobis(stearato)trilead  
Lead titanium  
zirconium oxide  
lead cyanamidate

Sulfurous acid, lead  
salt, dibasic  
[phthalato(2-)]dioxotrilead  
benzo[a]pyrene  
4-aminoazobenzene

**Halogen-Free**

**Status**

**Low-Halogen**

For more information, please visit [Contact US](#)

China ROHS

Green Image

ELV

Not Relevant

RoHS Phthalates

Not Contained

**Search Parts in this Series**

[505073](#) Series

**Mates With**

TermiMate PCB Plug Terminal [5050710101](#)

**Application Tooling | [FAQ](#)**

*Tooling specifications and manuals are found by selecting the products below. Crimp Height Specifications are then contained in the Application Tooling Specification document.*

**Global**

**Description**

**Product #**

Unlatching Tool for [638245010](#)

TermiMate 505071

Plug Terminal

for removal of

TermiMate 505073

Crimp Terminal

Receptacle

Hand Crimp Tool for [638277500](#)

TermiMate Crimp

Terminal Receptacle,

22-26 AWG Wire

Hand Crimp Tool for [638277600](#)

TermiMate Crimp

Terminal Receptacle,

22-26 AWG Wire

FineAdjust Applicator [639037200](#)

for TermiMate 1

Circuit Wire-to-Board

Crimp Terminals,

22-26 AWG

**Japan**

**Description**

**Product #**

S-1 Applicator

[5781403700](#)

for TermiMate

Terminals, 22-26

AWG

This document was generated on 10/15/2020

**PLEASE CHECK [WWW.MOLEX.COM](http://WWW.MOLEX.COM) FOR LATEST PART INFORMATION**