

**PLEASE CHECK WWW.MOLEX.COM FOR LATEST PART INFORMATION**

**Part Number:** [5050720101](#)  
**Status:** **Active**  
**Overview:** [TermiMate One-Circuit Terminal-Style Connector System](#)  
**Description:** [TermiMate PCB Receptacle Terminal, 1.20mm Mated Height](#)

**Documents:**

<a href="#">3D Model</a>	<a href="#">Product Specification PS-505071-001-001 (PDF)</a>
<a href="#">Drawing (PDF)</a>	<a href="#">Application Specification AS-505071-001-001 (PDF)</a>
<a href="#">3D Model (PDF)</a>	<a href="#">RoHS Certificate of Compliance (PDF)</a>

**Application tooling part link**

Application Tooling Part Link 63824-5810

**General**

Product Family	PCB Receptacles
Series	<a href="#">505072</a>
Application	Board-to-Board
Overview	<a href="#">TermiMate One-Circuit Terminal-Style Connector System</a>
Product Name	TermiMate
UPC	887191571027

**Physical**

Circuits (Loaded)	1
Circuits (maximum)	1
Durability (mating cycles max)	10
Glow-Wire Capable	No
Guide to Mating Part	No
Keying to Mating Part	None
Lock to Mating Part	Yes
Mated Height	1.20mm
Material - Metal	Copper Alloy
Material - Plating Mating	Tin
Net Weight	83.000/mg
Number of Rows	1
Orientation	Right Angle
PCB Locator	No
PCB Retention	None
Packaging Type	Embossed Tape on Reel
Pitch - Mating Interface	N/A
Plating min - Mating	0.406µm
Polarized to Mating Part	Yes
Polarized to PCB	No
Surface Mount Compatible (SMC)	Yes
Temperature Range - Operating	-55° to +105°C
Termination Interface: Style	Surface Mount

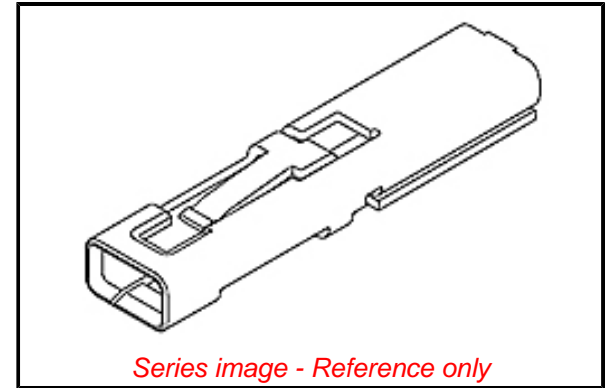
**Electrical**

Current - Maximum per Contact	3.0A
Voltage - Maximum	125V AC (RMS)/DC

**Material Info**

**Reference - Drawing Numbers**

Application Specification	AS-505071-001-001
Product Specification	PS-505071-001-001
Sales Drawing	SD-505072-001, SD-505072-002



**EU ELV**

**Not Relevant**

**EU RoHS**

**Compliant**

**China RoHS**

**REACH SVHC**

Not Contained Per - ED/71/2019 (16 July 2019)

**Halogen-Free**

**Status**

**Low-Halogen**

For more information, please visit [Contact US](#)

China ROHS

Green Image

ELV

Not Relevant

RoHS Phthalates

Not Contained

**Search Parts in this Series**

[505072 Series](#)

**Mates With**

[TermiMate PCB Plug Terminal 505071-0101](#)

**Application Tooling | FAQ**

*Tooling specifications and manuals are found by selecting the products below. Crimp Height Specifications are then contained in the Application Tooling Specification document.*

**Global**

**Description**

**Product #**

Unlatching Tool for TermiMate 505071 Plug Terminal for removal of TermiMate 505072 PCB Receptacle Terminal	<a href="#">638245810</a>
--	---------------------------

This document was generated on 01/21/2020

**PLEASE CHECK [WWW.MOLEX.COM](http://WWW.MOLEX.COM) FOR LATEST PART INFORMATION**