

**PLEASE CHECK WWW.MOLEX.COM FOR LATEST PART INFORMATION**

**Part Number:** [504695-0607](#)  
**Status:** **Active**  
**Overview:** Inertia Lock Wire-to-Wire System  
**Description:** 3.30mm Pitch Wire-to-Wire Retainer, Brown, 6 Circuits

**Documents:**

<a href="#">Drawing (PDF)</a>	<a href="#">Application Specification AS-504693-002 (PDF)</a>
<a href="#">Product Specification PS-504693-001 (PDF)</a>	<a href="#">Packaging Specification SPK-504695-001 (PDF)</a>
<a href="#">Application Specification AS-504693-001 (PDF)</a>	<a href="#">RoHS Certificate of Compliance (PDF)</a>

**General**

Product Family	Accessories
Series	<a href="#">504695</a>
Component Type	Retainer
Overview	<u>Inertia Lock Wire-to-Wire System</u>
Product Name	Inertia Lock
UPC	887191487922

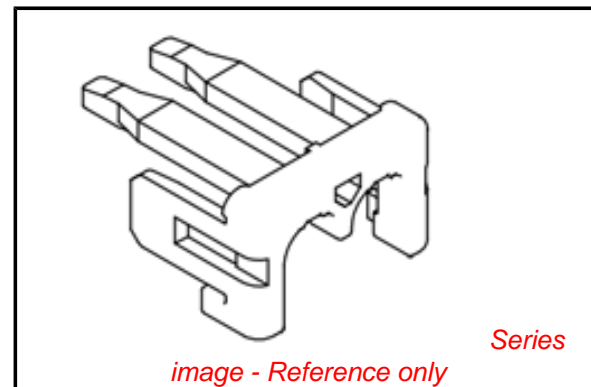
**Physical**

Circuits (Loaded)	6
Color - Resin	Brown
Material - Resin	PBT
Net Weight	233.000/mg
Packaging Type	Bag

**Material Info**

**Reference - Drawing Numbers**

Application Specification	AS-504693-001, AS-504693-002
Packaging Specification	SPK-504695-001
Product Specification	PS-504693-001
Sales Drawing	SD-504695-001



**EU RoHS**

**ELV and RoHS Compliant**  
**REACH SVHC**  
**Contains SVHC: No**  
**Low-Halogen Status**  
**Not Low-Halogen**

**China RoHS**



**Need more information on product environmental compliance?**

Email [productcompliance@molex.com](mailto:productcompliance@molex.com)  
 For a multiple part number RoHS Certificate of Compliance, [click here](#)

Please visit the [Contact Us](#) section for any non-product compliance questions.

**Search Parts in this Series**  
[504695Series](#)

**PLEASE CHECK WWW.MOLEX.COM FOR LATEST PART INFORMATION**