

PLEASE CHECK WWW.MOLEX.COM FOR LATEST PART INFORMATION

Part Number: [504695-0207](#)
Status: **Active**
Overview: Inertia Lock Wire-to-Wire System
Description: 3.30mm Pitch Wire-to-Wire Retainer, Brown, 2 Circuits

Documents:

Drawing (PDF)	Application Specification AS-504693-002 (PDF)
Product Specification PS-504693-001 (PDF)	Packaging Specification SPK-504695-001 (PDF)
Application Specification AS-504693-001 (PDF)	RoHS Certificate of Compliance (PDF)

General

Product Family	Accessories
Series	504695
Component Type	Retainer
Overview	<u>Inertia Lock Wire-to-Wire System</u>
Product Name	Inertia Lock
UPC	887191361376

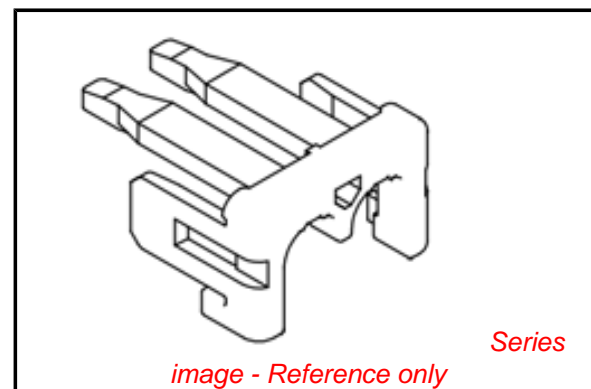
Physical

Circuits (Loaded)	2
Color - Resin	Brown
Material - Resin	PBT
Net Weight	107.000/mg
Packaging Type	Bag

Material Info

Reference - Drawing Numbers

Application Specification	AS-504693-001, AS-504693-002
Packaging Specification	SPK-504695-001
Product Specification	PS-504693-001
Sales Drawing	SD-504695-001



EU RoHS

**ELV and RoHS
Compliant**
REACH SVHC
Contains SVHC: No
Low-Halogen Status
Not Low-Halogen

China RoHS



**Need more information on product
environmental compliance?**

Email productcompliance@molex.com
 For a multiple part number RoHS Certificate of
 Compliance, [click here](#)

Please visit the [Contact Us](#) section for any
 non-product compliance questions.

Search Parts in this Series
[504695Series](#)

PLEASE CHECK WWW.MOLEX.COM FOR LATEST PART INFORMATION