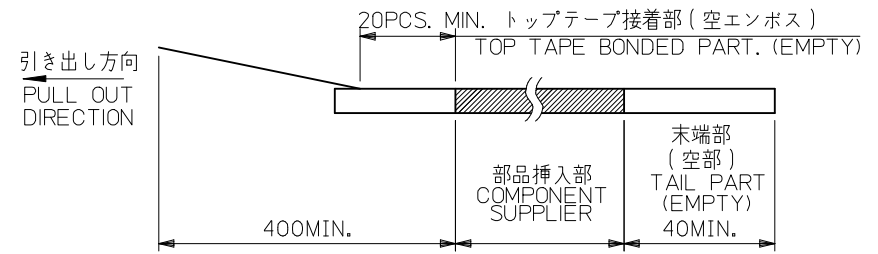
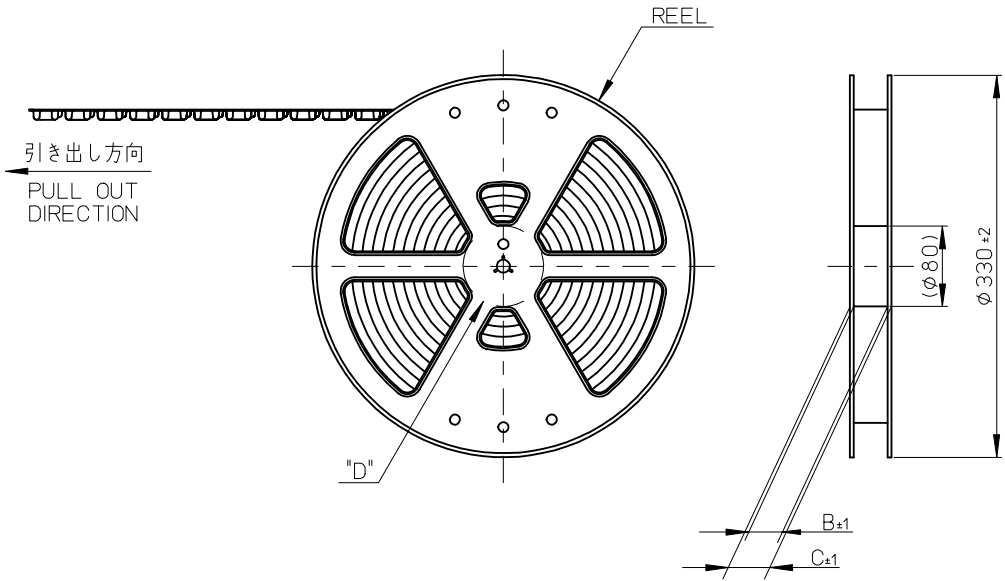
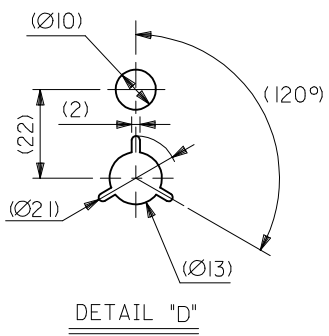


注記 NOTES

- 製品詳細寸法については製品単体図面を参照下さい。
RE DETAILED DIMENSION, SEE PRODUCT DRAWING.
- 梱包数量：3000 個／リール
NUMBER OF CONNECTORS : 3000PCS/REEL
- リードテープ長さ LEAD TAPE LENGTH

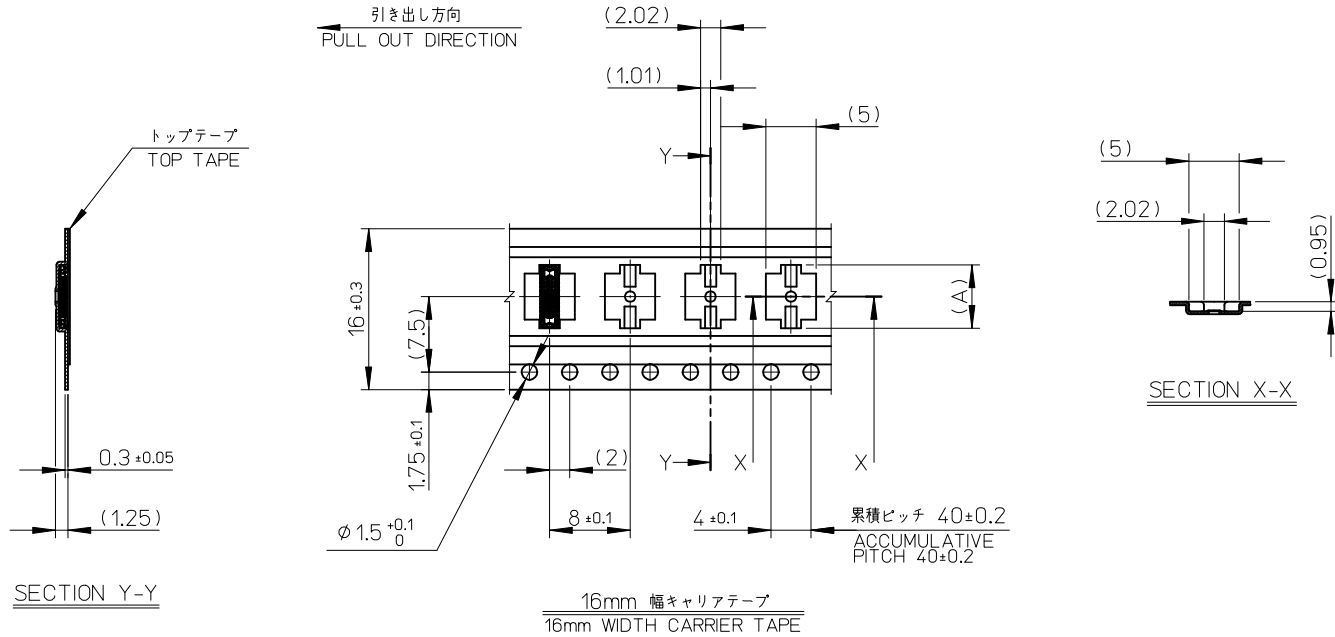


- トップテープの剥離強度については、IEC60286-3に準拠
TOP TAPE PEEL FORCE IS DEFINED BY IEC60286-3.
- 材料 MATERIAL
キャリアテープ (CARRIER TAPE) : ポリスチレン (POLYSTYRENE)
トップテープ (TOP TAPE) : PET, OTHER
リール (REEL) : ポリスチレン (PS) <リサイクル材を含む>
POLYSTYRENE (PS) <RECYCLE MATERIAL CONTAINED>
- ELV 及び RoHS適合品
ELV AND RoHS COMPLIANT



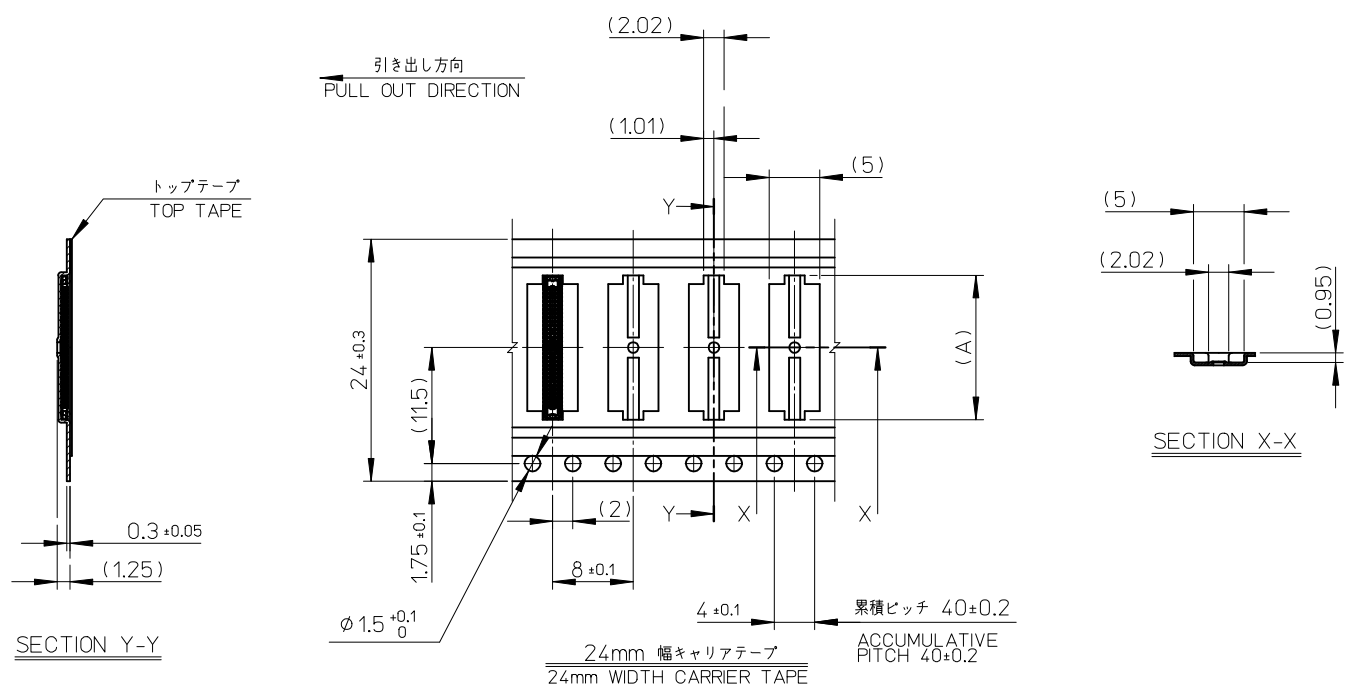
DETAIL "D"

REVISED EC NO: J2015-0167 DRWNY:ISHIDA 2014/08/01 CHKD:TAKEUCHI 2014/08/01 APPR:KMORIKAWA 2014/08/01	DESCRIPTION REV	GENERAL TOLERANCES (UNLESS SPECIFIED)		DIMENSION STYLE MM ONLY		SCALE ---	DESIGN UNITS METRIC	THIRD ANGLE PROJECTION		
		10 UNDER	±0.2	DRAWN BY KAMINO	DATE 2014/05/13	TITLE 0.4 BB CONN. H=0.8 REC ASSY. FOR CHECKER EMBSTP. PKG				
		10 OVER 30 UNDER	±0.25	CHECKED BY TASAKAWA	DATE 2014/05/14					
		30 OVER	±0.3	APPROVED BY KMORIKAWA	DATE 2014/05/15					
ANGULAR ±1		DRAFT WHERE APPLICABLE MUST REMAIN WITHIN DIMENSIONS		MATERIAL NO. SEE SHEET 2 & 3		DOCUMENT NO. SD-504208-004		SHEET NO. 1 OF 3		
THIS DRAWING CONTAINS INFORMATION THAT IS PROPRIETARY TO MOLEX INCORPORATED AND SHOULD NOT BE USED WITHOUT WRITTEN PERMISSION										



16	21.4	17.4	7.12	504208-2480	○	---	24
			6.32	504208-2080	---	---	20
			5.52	504208-1680	○	---	16
			5.12	504208-1480	---	---	14
			4.72	504208-1280	○	---	12
			4.32	504208-1080	○	---	10
キャリアテープ幅 CARRIER TAPE WIDTH	C	B	(A)	MATERIAL No.	量産品 MASS PRODUCTION	試作対応 LOW VOL. TOOL	極数 CIRCUIT
				MODEL No.	サンプル供給 SAMPLE PREPARATION		504208-**-80

SEE SHEET 1 OF 3 EC NO: J2015-0167 DRWNY: SHIDA 2014/08/01 CHKD: TAKEUCHI 2014/08/01 APPR: KMORIKAWA 2014/08/01	GENERAL TOLERANCES (UNLESS SPECIFIED)	DIMENSION STYLE MM ONLY	SCALE ---	DESIGN UNITS METRIC	THIRD ANGLE PROJECTION
	10 UNDER ± 0.2	DRAWN BY KAMINO	DATE 2014/05/13	TITLE 0.4 BB CONN. H=0.8 REC ASSY. FOR CHECKER EMBSTP. PKG	
	10 OVER 30 UNDER ± 0.25	CHECKED BY TASAKAWA	DATE 2014/05/14	molex	
	30 OVER ± 0.3	APPROVED BY KMORIKAWA	DATE 2014/05/15		
ANGULAR ± 1	MATERIAL NO.	SEE CHART	DOCUMENT NO. SD-504208-004	SHEET NO. 2 OF 3	
DRAFT WHERE APPLICABLE MUST REMAIN WITHIN DIMENSIONS	SIZE A3	THIS DRAWING CONTAINS INFORMATION THAT IS PROPRIETARY TO MOLEX INCORPORATED AND SHOULD NOT BE USED WITHOUT WRITTEN PERMISSION			



24	29.4	25.4	12.32	504208-5080	o	---	50	
			10.32	504208-4080	o	---	40	
			9.12	504208-3480	o	---	34	
			8.32	504208-3080	o	---	30	
キャリアテープ幅 CARRIER TAPE WIDTH		C	B	(A)	MATERIAL No.	量産品 MASS PRODUCTION	試作対応 LOW VOL. TOOL	極数 CIRCUIT
					MODEL No.	サンプル供給 SAMPLE PREPARATION		504208-**-80

SEE SHEET 1 OF 3 EC NO: J2015-0167 DRWN: Y. SHIDA 2014/08/01 CHKD: R. TAKEUCHI 2014/08/01 APPR: K. MORIKAWA 2014/08/01	GENERAL TOLERANCES (UNLESS SPECIFIED)		DIMENSION STYLE MM ONLY		SCALE ---	DESIGN UNITS METRIC	THIRD ANGLE PROJECTION
	10 UNDER	± 0.2	DRAWN BY KAMINO	DATE 2014/05/13	TITLE 0.4 BB CONN. H=0.8 REC ASSY. FOR CHECKER EMBSTP. PKG		
	10 OVER 30 UNDER	± 0.25	CHECKED BY TASAKAWA	DATE 2014/05/14			
	30 OVER	± 0.3	APPROVED BY KMORIKAWA	DATE 2014/05/15			
ANGULAR	± 1 °	MATERIAL NO.		DOCUMENT NO.	SHEET NO.		
DRAFT WHERE APPLICABLE MUST REMAIN WITHIN DIMENSIONS		SEE CHART		SD-504208-004		3 OF 3	
THIS DRAWING CONTAINS INFORMATION THAT IS PROPRIETARY TO MOLEX INCORPORATED AND SHOULD NOT BE USED WITHOUT WRITTEN PERMISSION							