

PLEASE CHECK WWW.MOLEX.COM FOR LATEST PART INFORMATION

Part Number: [504186-2800](#)
Status: **Active**
Overview: Micro-Lock™ Connectors
Description: Micro-Lock™ 1.25mm Pitch Dual-Row Crimp Housing, White, 28 Circuits

Documents:

[Drawing \(PDF\)](#) [Packaging Specification SPK-504186-001 \(PDF\)](#)
[Product Specification PS-504186-001 \(PDF\)](#) [RoHS Certificate of Compliance \(PDF\)](#)
[Application Specification AS-504186-001 \(PDF\)](#)

General

Product Family	Crimp Housings
Series	504186
Application	Wire-to-Board
Overview	<u>Micro-Lock™ Connectors</u>
Product Name	Micro-Lock™
UPC	887191161594

Physical

Circuits (maximum)	28
Color - Resin	White
Gender	Female
Glow-Wire Compliant	No
Lock to Mating Part	Yes
Material - Resin	Polyester
Net Weight	408.584/mg
Number of Rows	2
Packaging Type	Tray
Panel Mount	No
Pitch - Mating Interface	1.25mm
Pitch - Termination Interface	1.25mm
Polarized to Mating Part	Yes
Temperature Range - Operating	-25°C to +85°C

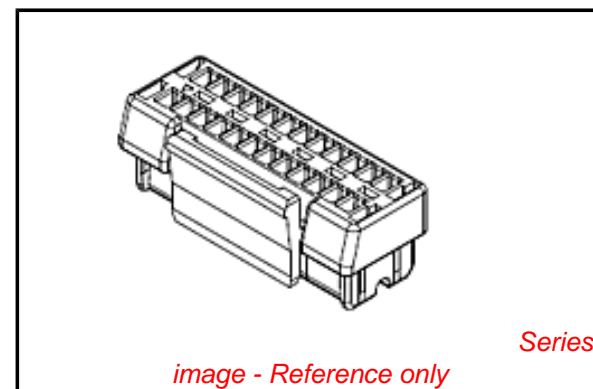
Electrical

Current - Maximum per Contact	1.5A
-------------------------------	------

Material Info

Reference - Drawing Numbers

Application Specification	AS-504186-001
Packaging Specification	SPK-504186-001
Product Specification	PS-504186-001, RPS-504186-001
Sales Drawing	SD-504186-001



EU RoHS

**ELV and RoHS
Compliant**

REACH SVHC

Not Reviewed

Low-Halogen Status

Not Low-Halogen

China RoHS



**Need more information on product
environmental compliance?**

Email productcompliance@molex.com
 For a multiple part number RoHS Certificate of
 Compliance, [click here](#)

Please visit the [Contact Us](#) section for any
 non-product compliance questions.

Search Parts in this Series

[504186Series](#)

Mates With

Micro-Lock™ 1.25mm Pitch Header [504187](#)
 , [504189](#)

Use With

Micro-Lock™ Wire-to-Board Crimp Terminal
[5041851000](#)