

**PLEASE CHECK WWW.MOLEX.COM FOR LATEST PART INFORMATION**

**Part Number:** [50397-8100](#)  
**Status:** **Active**  
**Description:** 2.50mm Pitch Crimp Terminal, 50397, Bag

**Documents:**

<a href="#">3D Model</a>	<a href="#">Product Specification PS-51111-003 (PDF)</a>
<a href="#">Drawing (PDF)</a>	<a href="#">Packaging Specification SPK-50397-001 (PDF)</a>
<a href="#">Product Specification PS-500592-001 (PDF)</a>	<a href="#">RoHS Certificate of Compliance (PDF)</a>
<a href="#">Product Specification PS-51111-001 (PDF)</a>	

**General**

Product Family	Crimp Terminals
Series	<a href="#">50397</a>
Application	Signal
Crimp Quality Equipment	Yes
Product Name	N/A
UPC	800754237444

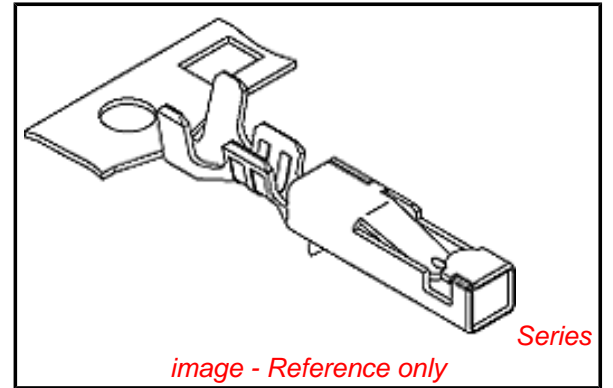
**Physical**

Gender	Female
Material - Metal	Phosphor Bronze
Material - Plating Mating	Tin
Material - Plating Termination	Tin
Net Weight	89.600/mg
Packaging Type	Bag
Plating min - Mating	0.889µm
Plating min - Termination	0.914µm
Termination Interface: Style	Crimp or Compression
Wire Insulation Diameter	1.15-1.80mm
Wire Size AWG	22, 24, 26, 28
Wire Size mm²	N/A

**Material Info**

**Reference - Drawing Numbers**

Packaging Specification	SPK-50397-001
Product Specification	PS-500592-001, PS-51111-001, PS-51111-003, RPS-500592-001, RPS-500592-002, RPS-500592-003, RPS-51111-004, RPS-51111-005, RPS-51112-003
Sales Drawing	SD-50397-001



**EU RoHS**

**ELV and RoHS  
Compliant**  
**REACH SVHC  
Contains SVHC: No  
Low-Halogen Status  
Low-Halogen**

**China RoHS**



**Need more information on product  
environmental compliance?**

Email [productcompliance@molex.com](mailto:productcompliance@molex.com)  
 For a multiple part number RoHS Certificate of  
 Compliance, [click here](#)

Please visit the [Contact Us](#) section for any  
 non-product compliance questions.

**Search Parts in this Series**

[50397Series](#)

**Mates With**

[50398](#)

**Use With**

[51111](#)

**Application Tooling | [FAQ](#)**

*Tooling specifications and manuals are  
 found by selecting the products below.  
 Crimp Height Specifications are then  
 contained in the Application Tooling  
 Specification document.*

**Global**

Description	Product #
Extraction Tool	<a href="#">0638132700</a>

**Japan**

Description	Product #
Hand Crimp Tool	<a href="#">0573165000</a>
Extraction Tool	<a href="#">0573166100</a>

This document was generated on 02/11/2013

**PLEASE CHECK [WWW.MOLEX.COM](http://WWW.MOLEX.COM) FOR LATEST PART INFORMATION**