

**PLEASE CHECK WWW.MOLEX.COM FOR LATEST PART INFORMATION**

**Part Number:** [503657-1000](#)  
**Status:** **Active**  
**Description:** Micro-Lock™ 2.00mm Wire-to-Board Crimp Terminal, 22 - 26 AWG,

**Documents:**

[Drawing \(PDF\)](#) [Packaging Specification SPK-503657-001 \(PDF\)](#)  
[Product Specification PS-503658-001 \(PDF\)](#) [RoHS Certificate of Compliance \(PDF\)](#)  
[Application Specification AS-503658-001 \(PDF\)](#)

**General**

Product Family	Crimp Terminals
Series	503657
Application	Power, Signal
Crimp Quality Equipment	Yes
Product Name	Micro-Lock™
UPC	884982339552

**Physical**

Durability (mating cycles max)	30
Gender	Female
Material - Metal	Copper Alloy
Material - Plating Mating	Tin
Net Weight	40.500/mg
Packaging Type	Reel
Wire Insulation Diameter	0.9-1.5
Wire Size AWG	22, 24, 26
Wire Size mm²	0.126-0.34

**Electrical**

Current - Maximum per Contact	3A
Voltage - Maximum	250V

**Material Info**

**Reference - Drawing Numbers**

Application Specification	AS-503658-001
Packaging Specification	SPK-503657-001
Product Specification	PS-503658-001, RPS-503658-001
Sales Drawing	SD-503657-001

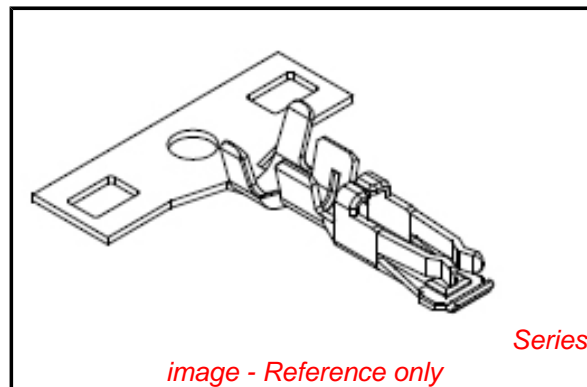


image - Reference only

**EU RoHS**

**ELV and RoHS  
Compliant**

**REACH SVHC**

**Contains SVHC: No  
Low-Halogen Status  
Low-Halogen**

**China RoHS**



**Need more information on product  
environmental compliance?**

Email [productcompliance@molex.com](mailto:productcompliance@molex.com)  
 For a multiple part number RoHS Certificate of  
 Compliance, [click here](#)

Please visit the [Contact Us](#) section for any  
 non-product compliance questions.

**Search Parts in this Series**

503657Series

**Use With**

503658 Micro-Lock™ Wire-to-Board Crimp  
 Housing

**Application Tooling | FAQ**

*Tooling specifications and manuals are  
 found by selecting the products below.  
 Crimp Height Specifications are then  
 contained in the Application Tooling  
 Specification document.*

**Global**

Description	Product #
Extraction Tool	<a href="#">0638132700</a>
Fine Adjust	<a href="#">0639022800</a>
Applicator for 2.0 W/B Receptacle Terminals	
T2 Terminator for 2.0 W/B Receptacle Terminals	<a href="#">0639122800</a>
Hand Crimp Tool for 2.00mm Pitch	<a href="#">0638239800</a>

This document was generated on 04/05/2013

**PLEASE CHECK [WWW.MOLEX.COM](http://WWW.MOLEX.COM) FOR LATEST PART INFORMATION**