

PLEASE CHECK WWW.MOLEX.COM FOR LATEST PART INFORMATION

Part Number: [503561-0000](#)
Status: **Active**
Description: 2.00mm (.079") Diameter Male Crimp Terminal, Nickel (Ni) over Gold, 24-26 AWG, Reel

Documents:

[Drawing \(PDF\)](#) [Packaging Specification SPK-503561-001 \(PDF\)](#)
[Product Specification PS-503557-001 \(PDF\)](#) [RoHS Certificate of Compliance \(PDF\)](#)
[Application Specification AS-503557-001 \(PDF\)](#)

General

Product Family	Crimp Terminals
Series	503561
Application	Power
Crimp Quality Equipment	Yes
Product Name	N/A
UPC	884982061064

Physical

Durability (mating cycles max)	100
Gender	Plug
Material - Metal	Copper Alloy
Material - Plating Mating	Gold over Nickel
Material - Plating Termination	Nickel, Tin
Net Weight	140.000/mg
Packaging Type	Reel
Wire Insulation Diameter	0.95 -1.25mm
Wire Size AWG	24, 26
Wire Size mm ²	N/A

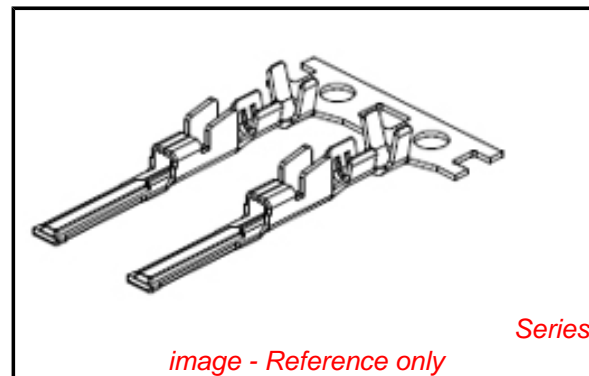
Electrical

Current - Maximum per Contact	2A
Voltage - Maximum	125V

Material Info

Reference - Drawing Numbers

Application Specification	AS-503557-001
Crimp Specification	CS-503561-001
Packaging Specification	SPK-503561-001
Product Specification	PS-503557-001
Sales Drawing	SD-503561-001



EU RoHS

**ELV and RoHS
Compliant**

REACH SVHC

**Contains SVHC: No
Low-Halogen Status
Low-Halogen**

China RoHS



**Need more information on product
environmental compliance?**

Email productcompliance@molex.com
 For a multiple part number RoHS Certificate of Compliance, [click here](#)

Please visit the [Contact Us](#) section for any non-product compliance questions.

Search Parts in this Series

[503561Series](#)