

PLEASE CHECK WWW.MOLEX.COM FOR LATEST PART INFORMATION

Part Number: [503559-1600](#)
Status: **Active**
Description: 2.00mm Pitch Wire-to-Board Plug Housing, Dual Row, Vertical, With Floating Feature for Blind Mating, 16 Circuits

Documents:

[Drawing \(PDF\)](#) [Packaging Specification SPK-503559-001 \(PDF\)](#)
[Product Specification PS-503557-001 \(PDF\)](#) [RoHS Certificate of Compliance \(PDF\)](#)
[Application Specification AS-503557-001 \(PDF\)](#)

General

Product Family	Crimp Housings
Series	503559
Application	Wire-to-Board
Product Name	N/A
UPC	884982144194

Physical

Circuits (maximum)	16
Color - Resin	Black
Gender	Plug
Glow-Wire Compliant	No
Lock to Mating Part	Yes
Material - Resin	Polyester
Net Weight	3330.950/mg
Number of Rows	2
Packaging Type	Bag
Panel Mount	Yes
Pitch - Mating Interface	2.00mm
Polarized to Mating Part	Yes
Temperature Range - Operating	-40°C to +85°C

Electrical

Current - Maximum per Contact	2A
-------------------------------	----

Material Info

Reference - Drawing Numbers

Application Specification	AS-503557-001
Packaging Specification	SPK-503559-001
Product Specification	PS-503557-001
Sales Drawing	SD-503559-001

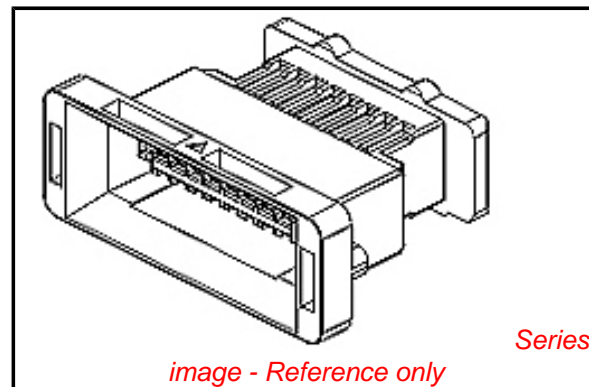


image - Reference only

EU RoHS

**ELV and RoHS
Compliant**
**REACH SVHC
Contains SVHC: No
Low-Halogen Status
Not Low-Halogen**

China RoHS



**Need more information on product
environmental compliance?**

Email productcompliance@molex.com
 For a multiple part number RoHS Certificate of Compliance, [click here](#)

Please visit the [Contact Us](#) section for any non-product compliance questions.

Search Parts in this Series

[503559Series](#)

Mates With

[503557 PCB Receptacle](#)

Use With

[503561 Crimp Terminal](#)