

**PLEASE CHECK WWW.MOLEX.COM FOR LATEST PART INFORMATION**

**Part Number:** [503473-0200](#)  
**Status:** **Active**  
**Description:** Flexi-Mate™ 3.70mm Pitch Wire-to-Board Plug Housing, Right Angle, 3.00mm Stacking Height, 2 Circuits

**Documents:**

[3D Model](#) [Application Specification AS-503471-001 \(PDF\)](#)  
[Drawing \(PDF\)](#) [RoHS Certificate of Compliance \(PDF\)](#)  
[Product Specification PS-503471-001 \(PDF\)](#)

**Agency Certification**

UL E29179

**General**

Product Family Crimp Housings  
 Series [503473](#)  
 Application Signal, Wire-to-Board  
 Product Name Flexi-Mate™  
 UPC 883906918675

**Physical**

Circuits (maximum) 2  
 Color - Resin White  
 Flammability 94HB  
 Gender Plug  
 Glow-Wire Compliant No  
 Keying to Mating Part Yes  
 Lock to Mating Part Yes  
 Net Weight 165.000/mg  
 Number of Rows 1  
 Packaging Type Bag  
 Panel Mount No  
 Pitch - Mating Interface 3.70mm  
 Polarized to Mating Part Yes  
 Stackable No  
 Temperature Range - Operating -40°C to +85°C

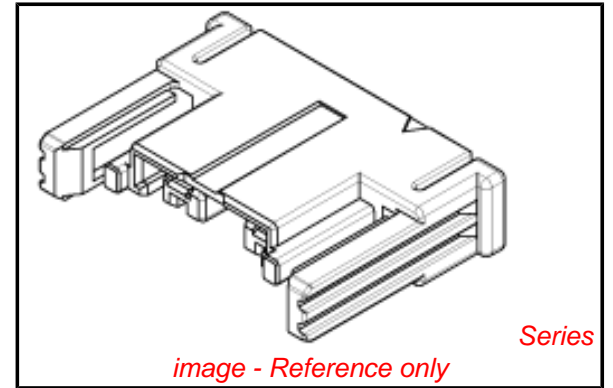
**Electrical**

Current - Maximum per Contact 2A

**Material Info**

**Reference - Drawing Numbers**

Application Specification AS-503471-001  
 Product Specification PS-503471-001, RPS-503471-002, RPS-503471-005,  
 RPS-503471-007, RPS-503473-001  
 Sales Drawing SD-503473-001



**EU RoHS**

**ELV and RoHS  
 Compliant**  
**REACH SVHC  
 Contains SVHC: No  
 Low-Halogen Status  
 Not Low-Halogen**

**China RoHS**



**Need more information on product  
 environmental compliance?**

Email [productcompliance@molex.com](mailto:productcompliance@molex.com)  
 For a multiple part number RoHS Certificate of  
 Compliance, [click here](#)

Please visit the [Contact Us](#) section for any  
 non-product compliance questions.

**Search Parts in this Series**

[503473Series](#)

**Mates With**

[503471 PCB Receptacle](#)

**Use With**

[503485 Crimp Terminal](#)