

PLEASE CHECK WWW.MOLEX.COM FOR LATEST PART INFORMATION

Part Number: [503471-0200](#)
Status: **Active**
Description: Flexi-Mate™ 3.70mm Pitch Board-to-Board/Wire-to-Board Receptacle, SMT, Right Angle, 3.00mm Stacking Height, 2 Circuits

Documents:

[3D Model](#) [Application Specification AS-503471-001 \(PDF\)](#)
[Drawing \(PDF\)](#) [RoHS Certificate of Compliance \(PDF\)](#)
[Product Specification PS-503471-001 \(PDF\)](#)

Agency Certification

UL E29179

General

Product Family PCB Receptacles
 Series [503471](#)
 Application Board-to-Board, Power, Wire-to-Board
 Product Name Flexi-Mate™
 UPC 883906918637

Physical

Circuits (Loaded) 2
 Circuits (maximum) 2
 Color - Resin White
 Durability (mating cycles max) 15
 Flammability 94V-0
 Glow-Wire Compliant No
 Lock to Mating Part Yes
 Mated Height 3.00mm
 Material - Metal Phosphor Bronze
 Material - Plating Mating Tin
 Material - Plating Termination Tin
 Net Weight 174.060/mg
 Number of Rows 1
 Orientation Right Angle
 PCB Locator No
 PCB Retention Yes
 Packaging Type Embossed Tape on Reel
 Pitch - Mating Interface 3.70mm
 Polarized to Mating Part Yes
 Polarized to PCB Yes
 Temperature Range - Operating -40°C to +85°C
 Termination Interface: Style Surface Mount

Electrical

Current - Maximum per Contact 2A
 Voltage - Maximum 500V

Material Info

Reference - Drawing Numbers

Application Specification AS-503471-001
 Product Specification PS-503471-001, RPS-503471-001, RPS-503471-002, RPS-503471-003, RPS-503471-004, RPS-503471-005, RPS-503471-007
 Sales Drawing SD-503471-001, SD-503471-002

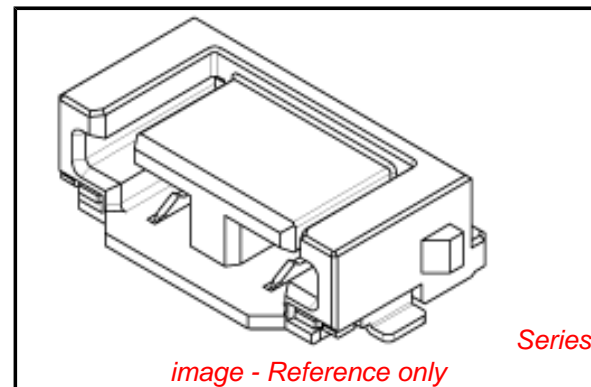


image - Reference only

EU RoHS

ELV and RoHS Compliant
REACH SVHC Contains SVHC: No
Low-Halogen Status Not Low-Halogen

China RoHS



Need more information on product environmental compliance?

Email productcompliance@molex.com
 For a multiple part number RoHS Certificate of Compliance, [click here](#)

Please visit the [Contact Us](#) section for any non-product compliance questions.

Search Parts in this Series

[503471Series](#)

Mates With

[503469](#) PCB Header for B-to-B . [503473](#) Housing and [503485](#) Crimp Terminal for W-to-B

This document was generated on 06/04/2013

PLEASE CHECK WWW.MOLEX.COM FOR LATEST PART INFORMATION