

PLEASE CHECK WWW.MOLEX.COM FOR LATEST PART INFORMATION

Part Number: [503196-1000](#)
Status: **Active**
Description: Robot Conn 36P Receptacle Crimp Terminal Chain

Documents:

[Drawing \(PDF\)](#) [Application Specification AS-58696-006 \(PDF\)](#)
[Application Specification AS-58696-005 \(PDF\)](#) [RoHS Certificate of Compliance \(PDF\)](#)

General

Product Family	Crimp Terminals
Series	503196
Application	Power, Signal
Crimp Quality Equipment	Yes
Product Name	Robot
UPC	883906055042

Physical

Gender	Female
Material - Metal	Copper Alloy
Material - Plating Mating	Gold over Nickel
Net Weight	419.990/mg
Packaging Type	Reel
Wire Insulation Diameter	2.0 To 2.51mm
Wire Size AWG	16, 18, 19
Wire Size mm ²	0.76 TO 1.39

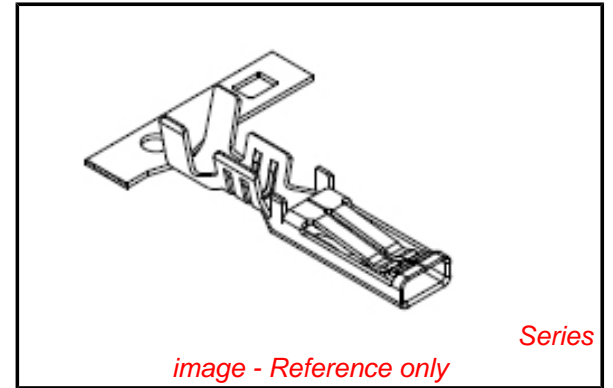
Electrical

Current - Maximum per Contact	15A
Voltage - Maximum	250V AC / 300V DC

Material Info

Reference - Drawing Numbers

Application Specification	AS-58696-005, AS-58696-006
Crimp Specification	CS-503196-001
Product Specification	RPS-58691-004
Sales Drawing	SD-503196-001



EU RoHS

**ELV and RoHS
Compliant**

REACH SVHC

Not Reviewed

Low-Halogen Status

Low-Halogen

China RoHS



**Need more information on product
environmental compliance?**

Email productcompliance@molex.com
For a multiple part number RoHS Certificate of
Compliance, [click here](#)

Please visit the [Contact Us](#) section for any
non-product compliance questions.

Search Parts in this Series

503196Series

Mates With

503195 Robot Male Terminal

Use With

503194-0600 Robot Receptacle Housing

Application Tooling | FAQ

*Tooling specifications and manuals are
found by selecting the products below.
Crimp Height Specifications are then
contained in the Application Tooling
Specification document.*

Global

Description	Product #
Hand Crimp Tool for 36P Robot Connector Plug and Receptacle Terminals	0638239100
Fine Adjust Applicator for Robot	0639022400

Conn 36P Crimp Terminals	
Extractor Tool for Crimp Terminals	<u>0638136000</u>
Extractor Tool for Crimp Terminals	<u>5780566000</u>

This document was generated on 06/25/2013

PLEASE CHECK WWW.MOLEX.COM FOR LATEST PART INFORMATION