

**PLEASE CHECK WWW.MOLEX.COM FOR LATEST PART INFORMATION**

**Part Number:** [503150-5009](#)  
**Status:** **Active**  
**Description:** 0.50mm Pitch FFC-to-Board Connector, Plug Jacket, 50 Circuits

**Documents:**

[3D Model](#) [Product Specification PS-501864-003 \(PDF\)](#)  
[Drawing \(PDF\)](#) [RoHS Certificate of Compliance \(PDF\)](#)  
[Product Specification PS-501786-003 \(PDF\)](#)

**General**

|                |                                    |
|----------------|------------------------------------|
| Product Family | Accessories                        |
| Series         | <a href="#">503150</a>             |
| Comments       | Requires a custom FFC with notches |
| Component Type | Jacket                             |
| Product Name   | N/A                                |
| UPC            | 800756937618                       |

**Physical**

|                               |                |
|-------------------------------|----------------|
| Circuits (Loaded)             | 50             |
| Color - Resin                 | Black          |
| Gender                        | Plug           |
| Material - Resin              | Polyester      |
| Net Weight                    | 562.000/mg     |
| Packaging Type                | Bag            |
| Polarized to Mating Part      | Yes            |
| Temperature Range - Operating | -40°C to +85°C |

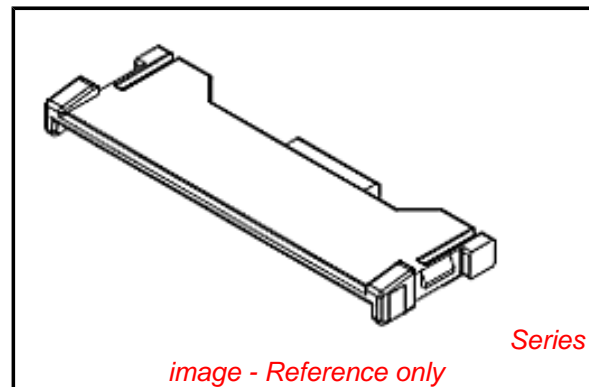
**Electrical**

|                               |      |
|-------------------------------|------|
| Current - Maximum per Contact | 0.5A |
|-------------------------------|------|

**Material Info**

**Reference - Drawing Numbers**

|                       |                                                              |
|-----------------------|--------------------------------------------------------------|
| Product Specification | PS-501786-003, PS-501864-003, RPS-501786-005, RPS-501864-005 |
| Sales Drawing         | SD-503150-001                                                |



*image - Reference only*

**EU RoHS**

**ELV and RoHS  
Compliant**

**REACH SVHC**

**Contains SVHC: No  
Low-Halogen Status  
Not Low-Halogen**

**China RoHS**



**Need more information on product  
environmental compliance?**

Email [productcompliance@molex.com](mailto:productcompliance@molex.com)  
For a multiple part number RoHS Certificate of Compliance, [click here](#)

Please visit the [Contact Us](#) section for any non-product compliance questions.

**Search Parts in this Series**

[503150Series](#)

**Use With**

[501786 FFC-to-Board Connector](#), [501864 FFC-to-Board Connector](#), [503151 Plug Jacket Cover](#)