

**PLEASE CHECK WWW.MOLEX.COM FOR LATEST PART INFORMATION**

**Part Number:** **502790-6091**  
**Status:** **Active**  
**Description:** 0.50mm Pitch FFC/FPC Connector, SMT, ZIF, Easy-On™ Front Flip, Double Bottom Contact, 2.50mm Height, Accepts FFC/FPC with Ear-tabs, 60 Circuits

**Documents:**

|   |  |
|---|--|
| <a href="#">3D Model</a>                                  | <a href="#">Product Specification PS-502790-002 (PDF)</a>    |
| <a href="#">Drawing (PDF)</a>                             | <a href="#">Packaging Specification SPK-502790-001 (PDF)</a> |
| <a href="#">Product Specification PS-502790-001 (PDF)</a> | <a href="#">RoHS Certificate of Compliance (PDF)</a>         |

**General**

|                |                    |
|----------------|--------------------|
| Product Family | FFC/FPC Connectors |
| Series         | <u>502790</u>      |
| Product Name   | Easy-On™           |
| UPC            | 883906339678       |

**Physical**

|                                |                       |
|--------------------------------|-----------------------|
| Circuits (Loaded)              | 60                    |
| Color - Resin                  | Beige                 |
| Contact Position               | Bottom                |
| Entry Angle                    | 90° Angle             |
| Mated Height                   | 2.50mm                |
| Material - Metal               | Phosphor Bronze       |
| Material - Plating Mating      | Gold                  |
| Material - Plating Termination | Gold                  |
| Net Weight                     | 548.381/mg            |
| Number of Rows                 | 1                     |
| Orientation                    | Right Angle           |
| PCB Retention                  | Yes                   |
| Packaging Type                 | Embossed Tape on Reel |
| Pitch - Mating Interface       | 0.50mm                |
| Polarized to PCB               | Yes                   |
| Stackable                      | No                    |
| Temperature Range - Operating  | -20°C to +85°C        |
| Termination Interface: Style   | Surface Mount         |
| Wire/Cable Type                | FPC only              |

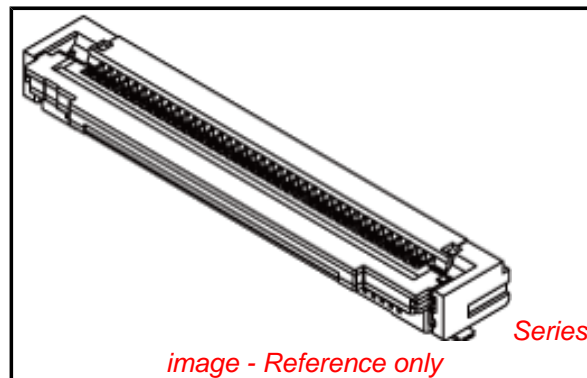
**Electrical**

|                               |      |
|-------------------------------|------|
| Current - Maximum per Contact | 0.5A |
| Voltage - Maximum             | 50V  |

**Material Info**

**Reference - Drawing Numbers**

|                         |  |
|-------------------------|--|
| Packaging Specification | SPK-502790-001   |
| Product Specification   | PS-502790-001, PS-502790-002, RPS-502790-001, RPS-502790-005, RPS-502790-007, RPS-502790-008, RPS-502790-010, RPS-502790-011, RPS-502790-014, RPS-502790-015, RPS-502790-021, RPS-502790-022 |
| Sales Drawing           | SD-502790-001, SD-502790-002   |



**EU RoHS**

**ELV and RoHS  
Compliant**

**REACH SVHC**

**Contains SVHC: No  
Low-Halogen Status  
Not Low-Halogen**

**China RoHS**



**Need more information on product  
environmental compliance?**

Email [productcompliance@molex.com](mailto:productcompliance@molex.com)  
For a multiple part number RoHS Certificate of Compliance, [click here](#)

Please visit the [Contact Us](#) section for any non-product compliance questions.

**Search Parts in this Series**

502790Series