

PLEASE CHECK WWW.MOLEX.COM FOR LATEST PART INFORMATION

Part Number: [502790-5091](#)
Status: **Active**
Description: 0.50mm Pitch FFC/FPC Connector, SMT, ZIF, Easy-On™ Front Flip, Double Bottom Contact, 2.50mm Height, Accepts FFC/FPC with Ear-tabs, 50 Circuits

Documents:

3D Model	Product Specification PS-502790-002 (PDF)
Drawing (PDF)	Packaging Specification SPK-502790-001 (PDF)
Product Specification PS-502790-001 (PDF)	RoHS Certificate of Compliance (PDF)

General

Product Family	FFC/FPC Connectors
Series	502790
Product Name	Easy-On™
UPC	883906339661

Physical

Circuits (Loaded)	50
Color - Resin	Beige
Contact Position	Bottom
Entry Angle	90° Angle
Mated Height	2.50mm
Material - Metal	Phosphor Bronze
Material - Plating Mating	Gold
Material - Plating Termination	Gold
Net Weight	459.751/mg
Number of Rows	1
Orientation	Right Angle
PCB Retention	Yes
Packaging Type	Embossed Tape on Reel
Pitch - Mating Interface	0.50mm
Polarized to PCB	Yes
Stackable	No
Temperature Range - Operating	-20°C to +85°C
Termination Interface: Style	Surface Mount
Wire/Cable Type	FPC only

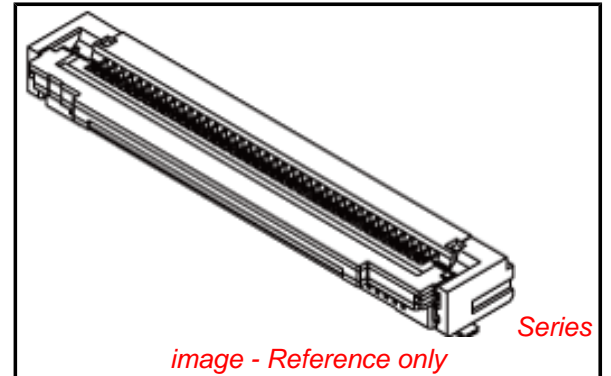
Electrical

Current - Maximum per Contact	0.5A
Voltage - Maximum	50V

Material Info

Reference - Drawing Numbers

Packaging Specification	SPK-502790-001
Product Specification	PS-502790-001, PS-502790-002, RPS-502790-001, RPS-502790-005, RPS-502790-006, RPS-502790-007, RPS-502790-008, RPS-502790-010, RPS-502790-011, RPS-502790-021, RPS-502790-022
Sales Drawing	SD-502790-001, SD-502790-002



EU RoHS

ELV and RoHS Compliant

REACH SVHC

Contains SVHC: No
Low-Halogen Status
Not Low-Halogen

China RoHS



Need more information on product environmental compliance?

Email productcompliance@molex.com
 For a multiple part number RoHS Certificate of Compliance, [click here](#)

Please visit the [Contact Us](#) section for any non-product compliance questions.

Search Parts in this Series

502790Series