

PLEASE CHECK WWW.MOLEX.COM FOR LATEST PART INFORMATION

Part Number: [5025851174](#)
Status: **Active**
Overview: [CLIK-Mate Wire-to-Board Connectors](#)
Description: 1.50mm Pitch, CLIK-Mate PCB Receptacle, Single Row, Surface Mount, Right-Angle, Tin Plating, Positive Lock, 11 Circuits, Blue

Documents:

3D Model	Application Specification AS-502578-001-001 (PDF)
3D Model (PDF)	Packaging Specification SPK-502585-001-001 (PDF)
Drawing (PDF)	RoHS Certificate of Compliance (PDF)
Product Specification 5025780000-PS-000 (PDF)	

Agency Certification

UL E29179

General

Product Family	PCB Receptacles
Series	502585
Application	Signal, Wire-to-Board
Overview	CLIK-Mate Wire-to-Board Connectors
Product Name	CLIK-Mate
UPC	800756778006

Physical

Circuits (Loaded)	11
Circuits (maximum)	11
Color - Resin	Blue
Durability (mating cycles max)	30
Flammability	SC-0
Glow-Wire Capable	No
Guide to Mating Part	Yes
Keying to Mating Part	None
Lock to Mating Part	Yes
Mated Height	6.40mm
Material - Metal	Copper Alloy
Material - Plating Mating	Tin
Net Weight	1.013/g
Number of Rows	1
Orientation	Right Angle
PCB Locator	No
PCB Retention	Yes
Packaging Type	Embossed Tape on Reel
Pitch - Mating Interface	1.50mm
Pitch - Termination Interface	1.50mm
Polarized to Mating Part	Yes
Polarized to PCB	Yes
Stackable	No
Temperature Range - Operating	-40° to +105°C
Termination Interface: Style	Surface Mount

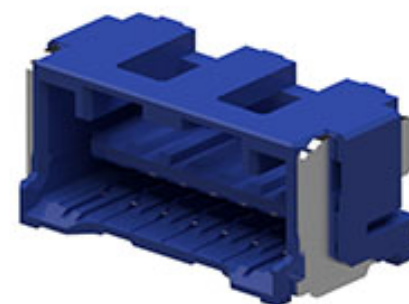
Electrical

Current - Maximum per Contact	2.0A
Voltage - Maximum	100V

Material Info

Reference - Drawing Numbers

Application Specification	AS-502578-001-001
---------------------------	-------------------



Series image - Reference only

EU ELV

Not Relevant

EU RoHS

Compliant

REACH SVHC

Not Contained Per -
D(2020)4578-DC (25
June 2020)

Halogen-Free

Status

Not Low-Halogen

For more information, please visit [Contact US](#)

China ROHS

ELV

RoHS Phthalates

China RoHS

Green Image

Not Relevant

Not Contained

Search Parts in this Series

[502585](#) Series

Mates With

[502578](#) Crimp Housing

Packaging Specification
Product Specification
Sales Drawing

SPK-502585-001-001
5025780000-PS-000
5025850000-SD-000

This document was generated on 10/21/2020

PLEASE CHECK WWW.MOLEX.COM FOR LATEST PART INFORMATION