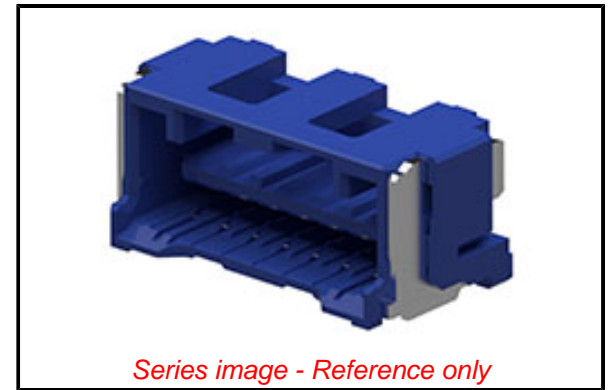


PLEASE CHECK WWW.MOLEX.COM FOR LATEST PART INFORMATION

Part Number: [5025850674](#)
Status: **Active**
Overview: CLIK-Mate Wire-to-Board Connectors
Description: 1.50mm Pitch, CLIK-Mate PCB Receptacle, Single Row, Surface Mount, Right-Angle, Tin Plating, Positive Lock, 6 Circuits, Blue

Documents:

3D Model	Application Specification AS-502578-001-001 (PDF)
3D Model (PDF)	Packaging Specification SPK-502585-001-001 (PDF)
Drawing (PDF)	RoHS Certificate of Compliance (PDF)
Product Specification 5025780000-PS-000 (PDF)	



Agency Certification

UL E29179

General

Product Family	PCB Receptacles
Series	502585
Application	Signal, Wire-to-Board
Overview	CLIK-Mate Wire-to-Board Connectors
Product Name	CLIK-Mate
UPC	800756777559

Physical

Circuits (Loaded)	6
Circuits (maximum)	6
Color - Resin	Blue
Durability (mating cycles max)	30
Flammability	SC-0
Glow-Wire Capable	No
Guide to Mating Part	Yes
Keying to Mating Part	None
Lock to Mating Part	Yes
Mated Height	6.40mm
Material - Metal	Copper Alloy
Material - Plating Mating	Tin
Net Weight	685.601/mg
Number of Rows	1
Orientation	Right Angle
PCB Locator	No
PCB Retention	Yes
Packaging Type	Embossed Tape on Reel
Pitch - Mating Interface	1.50mm
Pitch - Termination Interface	1.50mm
Polarized to Mating Part	Yes
Polarized to PCB	Yes
Stackable	No
Temperature Range - Operating	-40° to +105°C
Termination Interface: Style	Surface Mount

Electrical

Current - Maximum per Contact	2.0A
Voltage - Maximum	100V

Material Info

Reference - Drawing Numbers

Application Specification	AS-502578-001-001
---------------------------	-------------------

EU ELV

Not Relevant

EU RoHS

Compliant

REACH SVHC

Contained Per -
D(2020)4578-DC (25
June 2020)
henicosaflluoroundecanoic
acid
disodium 4-
amino-3-[[4'-[(2,4-
diaminophenyl)azo]
chromium trioxide
1,3-propanesultone
1-vinylimidazole
4,4'-methylenedi-o-
toluidine
dibutyltin dichloride
methoxyacetic acid
diisopentylphthalate
disodium 3,3'-[[1,1'-
biphenyl]-4,4'-
diylbis(azo)
octamethylcyclotetrasiloxane
benzene-1,2,4-
tricarboxylic acid 1,2-
anhydride
decamethylcyclopentasiloxane
dodecamethylcyclohexasiloxane
heptacosaflluorotetradecanoic
acid
tricosaflluorododecanoic
acid
di-n-pentyl phthalate
(DPP)
6-methoxy-m-toluidine
furan
1-bromopropane
nitrobenzene
4-o-tolylazo-o-
toluidine
ethylene thiourea

China RoHS

Packaging Specification
Product Specification
Sales Drawing

SPK-502585-001-001
5025780000-PS-000
5025850000-SD-000

4-methyl-m-phenylenediamine
o-toluidine
butyl 4-hydroxybenzoate
dinoseb (ISO)
dihexyl phthalate (DnHP)
dicyclohexyl phthalate
N-methylacetamide
dimethyl sulphate
diethyl sulphate
4-aminoazobenzene
Fatty acids, C16-18, lead salts
[phthalato(2-)]dioxotrilead
Silicic acid (H₂Si₂O₅), barium salt (1:1), lead-
Perfluorohexane-1-sulphonic acid and its salts
5-sec-butyl-2-(2,4-dimethylcyclohex-3-en-1-yl)-5
1,2-benzenedicarboxylic acid, di-C₆-10-alkyl est
Cadmium sulphate
Sodium perborate; perboric acid, sodium salt
hexahydro-2-benzofuran-1,3-dione
4-(1,1,3,3-tetramethylbutyl)phenol, ethoxylated
Perfluorononan-1-oic acid
(2,2,3,3,4,4,5,5,6,6,7
Reaction
products of 1,3,4-thiadiazolidine-2,5-d
Dodecachloropentacyclo[12.2.1.16,9.02,13.05,10]o
Chrysene
Cadmium nitrate
Pyrene
Tris(4-nonylphenyl, branched and linear)
phosphi
2,3,3,3-tetrafluoro-2-(heptafluoropropoxy)propio
4-(1,1,3,3-tetramethylbutyl)phenol, ethoxylated
Trixylyl phosphate
Zirconia
Aluminosilicate
Refractory Ceramic
Fibr
Aluminosilicate
Refractory Ceramic
Fibres
Boric acid

Disodium tetraborate
Hydrazine
1,3-BENZENEDIOL,
TRINITRO-, LEAD
SALT
n-pentyl-
isopentylphthalate
3-ethyl-2-methyl-2-
(3-methylbutyl)-1,3-
oxazolidi
1,2-
benzenedicarboxylic
acid, dipentylester,
bra
pentacosafuorotridecanoic
acid
1,2-
Benzenedicarboxylic
acid, dihexyl ester,
bra
Terphenyl,
hydrogenated
2-(2H-benzotriazol-2-
yl)-4-(tert-butyl)-6-
(sec-b
2-(2H-benzotriazol-2-
yl)-4,6-
ditertpentylphenol
dibutylbis(pentane-2,4-
dionato-O,O')tin
2-ethylhexyl 10-
ethyl-4,4-dioctyl-7-
oxo-8-oxa-3,
disodium octaborate
sodium
peroxometaborate
ammoniumpentadecafluorooctanoate
pentazinc chromate
octahydroxide
1,2-dichloroethane
trilead diarsenate
2-methoxyaniline
arsenic acid
N,N-
dimethylacetamide
lead dipicrate
potassium
hydroxyoctaoxidizincatedichromate(1-)
bis(2-methoxyethyl)
ether
calcium arsenate
1,2-
benzenedicarboxylic
acid; di-C6-8-
branched a
N-methyl-2-
pyrrolidone
1,2-
benzenedicarboxylic
acid; di-C7-11-
branched
2-ethoxyethyl acetate
cobalt sulphate
cobalt di(acetate)
cobalt carbonate

tetraboron disodium
heptaoxide, hydrate
sodium chromate
potassium dichromate
potassium chromate
ammonium
dichromate
tris(2-chloroethyl)
phosphate
Lead sulfochromate
yellow
Lead chromate
molybdate sulfate red
lead chromate
Anthracene oil,
anthracene-low;
Anthracene Oil F
Anthracene oil,
anthracene paste,
distn. lights;
Anthracene oil,
anthracene paste,
anthracene fra
Anthracene oil,
anthracene paste;
Anthracene Oil
Butylbenzylphthalate
(BBP)
lead hydrogen
arsenate
bis(2-ethylhexyl)
phthalate (DEHP)
dibutyl phthalate
(DBP)
4,4'-
diaminodiphenylmethane
triethyl arsenate
Sulfurous acid, lead
salt, dibasic
Acetic acid, lead salt,
basic
cadmium hydroxide
Lead titanium
zirconium oxide
dioxobis(stearato)trilead
tetralead trioxide
sulphate
trilead dioxide
phosphonate
pentalead tetraoxide
sulphate
lead oxide sulfate
Silicic acid, lead salt
cadmium chloride
lead dinitrate
pyrochlore, antimony
lead yellow
cadmium fluoride
cadmium
lead
 α,α' Bis[4-
(dimethylamino)phenyl]-4
(phenylamino)

[4-[[4-anilino-1-naphthyl][4-(dimethylamino)phenyl-1,3,5-tris(oxiranylmethyl)-1,3,5-triazine-2,4,6(Lead oxide
trilead bis(carbonate) dihydroxide
orange lead
cadmium sulphide
cadmium oxide (non-pyrophoric)
diboron trioxide
bis(pentabromophenyl) ether
4,4'-bis(dimethylamino)-4''-(methylamino)trityl
[4-[4,4'-bis(dimethylamino)benzhydrylidene]cycl
cadmium carbonate
1,2-dimethoxyethane
4,4'-bis(dimethylamino)benzophenone
dichromium
tris(chromate)
phenolphthalein
lead diazide
bis(2-methoxyethyl)
phthalate
Formaldehyde,
polymer with
benzenamine

Halogen-Free

Status

Not Low-Halogen

For more information, please visit [Contact US](#)

China ROHS

Green Image

ELV

Not Relevant

RoHS Phthalates

Not Contained

Search Parts in this Series

[502585](#) Series

Mates With

[502578](#) Crimp Housing

This document was generated on 10/14/2020

PLEASE CHECK WWW.MOLEX.COM FOR LATEST PART INFORMATION