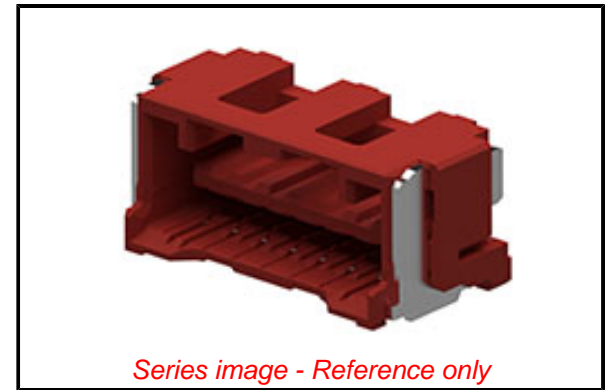


**PLEASE CHECK WWW.MOLEX.COM FOR LATEST PART INFORMATION**

**Part Number:** [5025850272](#)  
**Status:** **Active**  
**Overview:** [CLIK-Mate Wire-to-Board Connectors](#)  
**Description:** 1.50mm Pitch, CLIK-Mate PCB Receptacle, Single Row, Surface Mount, Right-Angle, Tin Plating, Positive Lock, 2 Circuits, Red

**Documents:**

<a href="#">3D Model</a>	<a href="#">Application Specification AS-502578-001-001 (PDF)</a>
<a href="#">3D Model (PDF)</a>	<a href="#">Packaging Specification SPK-502585-001-001 (PDF)</a>
<a href="#">Drawing (PDF)</a>	<a href="#">RoHS Certificate of Compliance (PDF)</a>
<a href="#">Product Specification 5025780000-PS-000 (PDF)</a>	



**Agency Certification**

UL E29179

**General**

Product Family	PCB Receptacles
Series	<a href="#">502585</a>
Application	Signal, Wire-to-Board
Overview	<a href="#">CLIK-Mate Wire-to-Board Connectors</a>
Product Name	CLIK-Mate
UPC	800756777177

**Physical**

Circuits (Loaded)	2
Circuits (maximum)	2
Color - Resin	Red
Durability (mating cycles max)	30
Flammability	SC-0
Glow-Wire Capable	No
Guide to Mating Part	Yes
Keying to Mating Part	None
Lock to Mating Part	Yes
Mated Height	6.40mm
Material - Metal	Copper Alloy
Material - Plating Mating	Tin
Net Weight	434.601/mg
Number of Rows	1
Orientation	Right Angle
PCB Locator	No
PCB Retention	Yes
Packaging Type	Embossed Tape on Reel
Pitch - Mating Interface	1.50mm
Pitch - Termination Interface	1.50mm
Polarized to Mating Part	Yes
Polarized to PCB	Yes
Stackable	No
Temperature Range - Operating	-40° to +105°C
Termination Interface: Style	Surface Mount

**Electrical**

Current - Maximum per Contact	2.0A
Voltage - Maximum	100V

**Material Info**

**Reference - Drawing Numbers**

Application Specification	AS-502578-001-001
---------------------------	-------------------

**EU ELV**

**Not Relevant**

**EU RoHS**

**Compliant**

**REACH SVHC**

Not Contained Per -  
D(2020)4578-DC (25  
June 2020)

**Halogen-Free**

**Status**

**Not Low-Halogen**

For more information, please visit [Contact US](#)

China ROHS

ELV

RoHS Phthalates

**China RoHS**

Green Image

Not Relevant

Not Contained

**Search Parts in this Series**

[502585](#) Series

**Mates With**

[502578](#) Crimp Housing

Packaging Specification  
Product Specification  
Sales Drawing

SPK-502585-001-001  
5025780000-PS-000  
5025850000-SD-000

This document was generated on 09/29/2020

**PLEASE CHECK [WWW.MOLEX.COM](http://WWW.MOLEX.COM) FOR LATEST PART INFORMATION**