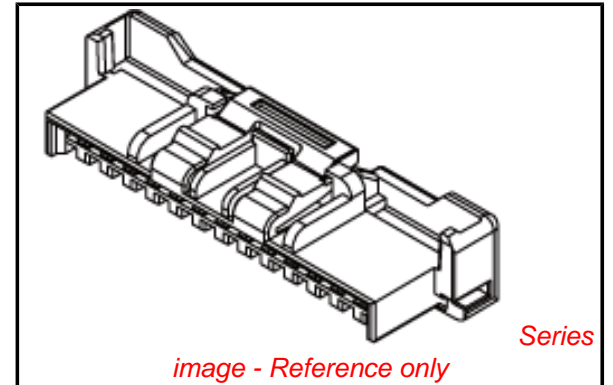


PLEASE CHECK WWW.MOLEX.COM FOR LATEST PART INFORMATION

Part Number: **502439-1300**
Status: **Active**
Overview: CLIK-Mate™ Wire-to-Board Connectors
Description: 2.00mm Pitch CLIK-Mate™ Wire-to-Board Housing, Single Row, Positive Lock, 13 Circuits

Documents:

3D Model	Application Specification AS-502439-002 (PDF)
Drawing (PDF)	Packaging Specification SPK-502439-001 (PDF)
Product Specification PS-502443-001 (PDF)	RoHS Certificate of Compliance (PDF)
Application Specification AS-502439-001 (PDF)	



General

Product Family	Crimp Housings
Series	502439
Application	Signal, Wire-to-Board
Overview	CLIK-Mate™ Wire-to-Board Connectors
Product Name	CLIK-Mate™
UPC	822350915915

Physical

Breakaway	No
Circuits (maximum)	13
Color - Resin	White
Gender	Plug
Glow-Wire Compliant	No
Keying to Mating Part	Yes
Lock to Mating Part	Yes
Net Weight	859.000/mg
Number of Rows	1
Packaging Type	Bag
Panel Mount	No
Pitch - Mating Interface	2.00mm
Polarized to Mating Part	Yes
Stackable	No
Temperature Range - Operating	-25°C to +85°C

Material Info

Reference - Drawing Numbers

Application Specification	AS-502439-001, AS-502439-002
Packaging Specification	SPK-502439-001
Product Specification	PS-502443-001, RPS-502443-001, RPS-502443-002, RPS-502443-004, RPS-502443-007, RPS-502443-008, RPS-502443-009, RPS-502443-010, RPS-502494-001, RPS-502494-003
Sales Drawing	SD-502439-002

EU RoHS

ELV and RoHS Compliant
REACH SVHC
 Not Reviewed
Low-Halogen Status
Not Low-Halogen

China RoHS



Need more information on product environmental compliance?

Email productcompliance@molex.com
 For a multiple part number RoHS Certificate of Compliance, [click here](#)

Please visit the [Contact Us](#) section for any non-product compliance questions.

Search Parts in this Series

502439Series

Mates With

502443 PCB Receptacle Vertical . 502494
 PCB Receptacle Right Angle

Use With

502438 Crimp Terminal