

PLEASE CHECK WWW.MOLEX.COM FOR LATEST PART INFORMATION

Part Number: [502438-0100](#)
Status: **Active**
Description: 2.00mm Pitch CLIK-Mate™ Wire-to-Board Crimp Terminal, Loose

Documents:

Drawing (PDF)	Packaging Specification SPK-502438-001 (PDF)
Application Specification AS-502439-001 (PDF)	RoHS Certificate of Compliance (PDF)
Application Specification AS-502439-002 (PDF)	

General

Product Family	Crimp Terminals
Series	502438
Application	Signal
Crimp Quality Equipment	Yes
MolexKits	Yes
Packaging Alternative	502438-0000 (Reel)
Product Name	CLIK-Mate™
UPC	800756665917

Physical

Durability (mating cycles max)	30
Gender	Plug
Material - Metal	Copper Alloy
Material - Plating Mating	Tin
Material - Plating Termination	Tin
Net Weight	41.500/mg
Packaging Type	Bag
Wire Insulation Diameter	0.90-1.5mm
Wire Size AWG	22, 24, 26
Wire Size mm²	N/A

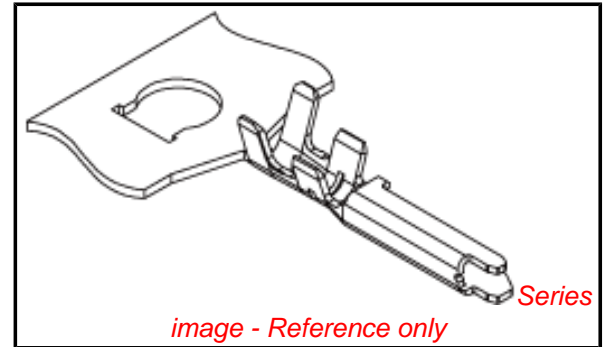
Electrical

Current - Maximum per Contact	3A
Voltage - Maximum	250V AC (RMS)/DC

Material Info

Reference - Drawing Numbers

Application Specification	AS-502439-001, AS-502439-002
Packaging Specification	SPK-502438-001
Product Specification	RPS-502443-001, RPS-502443-004, RPS-502443-008
Sales Drawing	SD-502438-001



EU RoHS

ELV and RoHS Compliant

REACH SVHC

Not Reviewed

Low-Halogen Status

Low-Halogen

China RoHS



Need more information on product environmental compliance?

Email productcompliance@molex.com
 For a multiple part number RoHS Certificate of Compliance, [click here](#)

Please visit the [Contact Us](#) section for any non-product compliance questions.

Search Parts in this Series

502438Series

Mates With

502443 PCB Receptacle, 502494 PCB Receptacle

Use With

502439 Crimp Housing

Application Tooling | FAQ

Tooling specifications and manuals are found by selecting the products below. Crimp Height Specifications are then contained in the Application Tooling Specification document.

Global

Description	Product #
Extraction Tool	0638132700
Hand Crimp Tool for 2.00mm Pitch Wire-to-Board Crimp Terminals, 22-26 AWG Wire	0638192800

This document was generated on 02/11/2013

PLEASE CHECK WWW.MOLEX.COM FOR LATEST PART INFORMATION