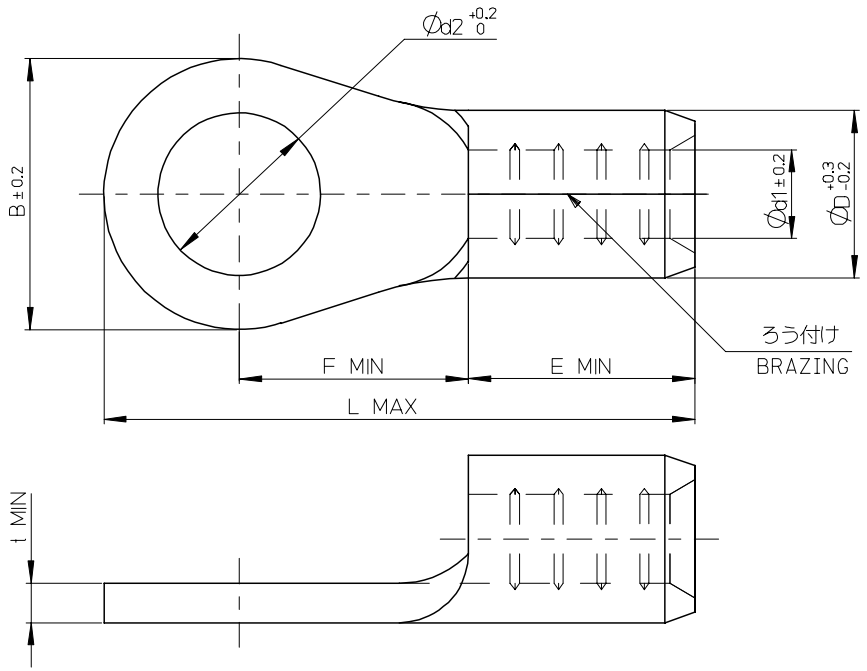


10 9 8 7 6 5 4 3 2 1

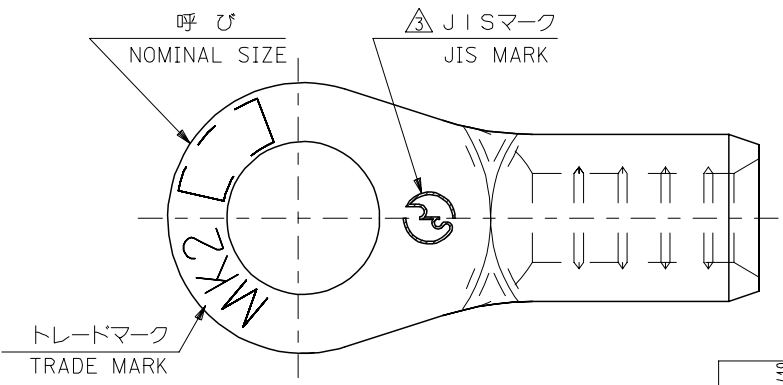


注記 NOTES

- 1 材質 MATERIAL
 端子：無酸素銅、スズメッキ
 TERMINAL: OXYGEN FREE COPPER, TIN PLATING
 ろう付け部：りん銅ろう
 PART OF BRAZING : COPPER PHOSPHORUS BRAZING FILLER METALS
- 2 適用電線 APPLICABLE WIRE RANGE

単線	撚線
SOLID WIRE	STRANDED WIRE
0.57 - 1.44 mm	0.25 - 1.65 mm ²

⊠ JIS認定品に刻印。
 DIE STAMPED MARK IS ALLOWED
 FOR JIS FILED PRODUCTS.



JIS	0.7	5.3	16	7	4.1	1.7	3.4	8	1.25	5	50224-7413					
JIS		4.3		6						4	50224-7412					
JIS		3.7		5						3.5	50224-7313					
JIS	⊠	t	φd2	L	F	E	φd1	φD	B	呼び NOMINAL SIZE	MATERIAL NO.					
JIS												3.2	12.5	4	3	50224-7213
JIS												3.7	5	3.5	50224-7212	
JIS	3.2	12.5	4	3	50224-7113											
JIS	3.7	5	3.5	50224-7112												

REVISED EC NO: J2007-1282 2006/12/19 DRW:KITO 2007/03/07 CHK:KASAHARA 2007/03/07 APPR:NUKITA 2007/03/08	GENERAL TOLERANCES (UNLESS SPECIFIED)		DIMENSION STYLE MM ONLY		SCALE ---	DESIGN UNITS METRIC	THIRD ANGLE PROJECTION		
	10 UNDER	± ---	DRAWN BY T. KAIHO		DATE 2003/04/08		TITLE RING TERMINAL		
	10 OVER 30 UNDER	± ---	CHECKED BY T. ITO		DATE 2003/04/08		APPROVED BY T. YAMAGUCHI		
	30 OVER	± ---	APPROVED BY T. YAMAGUCHI		DATE 2003/04/08		MATERIAL NO.		
	ANGULAR	± --- °	MATERIAL NO.		DOCUMENT NO.		SHEET NO.		
DRAFT WHERE APPLICABLE MUST REMAIN WITHIN DIMENSIONS		SEE CHART		SD-50224-001		1 OF 1			
THIS DRAWING CONTAINS INFORMATION THAT IS PROPRIETARY TO MOLEX INCORPORATED AND SHOULD NOT BE USED WITHOUT WRITTEN PERMISSION									