

PLEASE CHECK WWW.MOLEX.COM FOR LATEST PART INFORMATION

Part Number: [501940-0407](#)
Status: **Active**
Overview: [Pico-Clasp™](#)
Description: 1.00mm Pitch Pico-Clasp™ Wire-to-Board Header, Surface Mount, Single Row, Vertical, 4 Circuits, with Cover Tape, Lead-Free

Documents:

[3D Model](#) [Packaging Specification SPK-501940-001 \(PDF\)](#)
[Drawing \(PDF\)](#) [RoHS Certificate of Compliance \(PDF\)](#)
[Product Specification PS-501940-001 \(PDF\)](#)

General

Product Family	PCB Headers
Series	501940
Application	Signal, Wire-to-Board
Overview	Pico-Clasp™
Product Name	Pico-Clasp™
UPC	822350287043

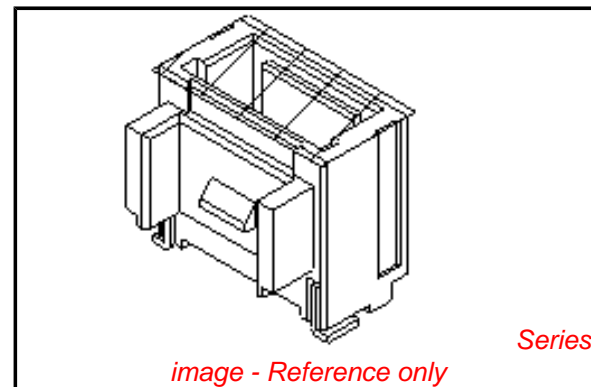
Physical

Breakaway	No
Circuits (Loaded)	4
Circuits (maximum)	4
Color - Resin	Natural
Durability (mating cycles max)	30
First Mate / Last Break	No
Glow-Wire Compliant	No
Guide to Mating Part	No
Keying to Mating Part	None
Lock to Mating Part	Yes
Mated Height	7.30mm
Material - Metal	Phosphor Bronze
Material - Plating Mating	Tin
Material - Plating Termination	Tin
Material - Resin	High Temperature Thermoplastic
Net Weight	121.700/mg
Number of Rows	1
Orientation	Vertical
PCB Locator	No
PCB Retention	Yes
Packaging Type	Embossed Tape on Reel
Pitch - Mating Interface	1.00mm
Plating min - Mating	1.016µm
Plating min - Termination	1.016µm
Polarized to Mating Part	Yes
Polarized to PCB	No
Shrouded	Fully
Stackable	No
Temperature Range - Operating	-40°C to +85°C
Termination Interface: Style	Surface Mount

Electrical

Current - Maximum per Contact	1A
Voltage - Maximum	50V

Material Info



EU RoHS

ELV and RoHS Compliant
REACH SVHC Contains SVHC: No
Low-Halogen Status
Not Low-Halogen

China RoHS



Need more information on product environmental compliance?

Email productcompliance@molex.com
 For a multiple part number RoHS Certificate of Compliance, [click here](#)

Please visit the [Contact Us](#) section for any non-product compliance questions.

Search Parts in this Series

[501940Series](#)

Mates With

[501939 Pico-Clasp™ Wire-to-Board Housing](#)

Reference - Drawing Numbers

Packaging Specification

Product Specification

Sales Drawing

SPK-501940-001

PS-501940-001, RPS-501940-001, RPS-501940-002,

RPS-501940-004, RPS-501940-006

SD-501940-001, SD-501940-002

This document was generated on 06/05/2013

PLEASE CHECK WWW.MOLEX.COM FOR LATEST PART INFORMATION