

PLEASE CHECK WWW.MOLEX.COM FOR LATEST PART INFORMATION

Part Number: [501939-0300](#)
Status: **Active**
Overview: [Pico-Clasp™](#)
Description: 1.00mm Pitch Pico-Clasp™ Wire-to-Board Housing, Positive Lock, 3 Circuits

Documents:

[3D Model](#) [Packaging Specification SPK-501939-001 \(PDF\)](#)
[Drawing \(PDF\)](#) [RoHS Certificate of Compliance \(PDF\)](#)
[Product Specification PS-501940-001 \(PDF\)](#)

General

| | |
|----------------|-----------------------------|
| Product Family | Crimp Housings |
| Series | 501939 |
| Application | Signal, Wire-to-Board |
| Overview | Pico-Clasp™ |
| Product Name | Pico-Clasp™ |
| UPC | 822350286947 |

Physical

| | |
|-------------------------------|----------------|
| Circuits (maximum) | 3 |
| Color - Resin | White |
| Gender | Female |
| Glow-Wire Compliant | No |
| Lock to Mating Part | Yes |
| Material - Resin | Nylon |
| Net Weight | 42.300/mg |
| Number of Rows | 1 |
| Packaging Type | Bag |
| Panel Mount | No |
| Pitch - Mating Interface | 1.00mm |
| Polarized to Mating Part | Yes |
| Stackable | No |
| Temperature Range - Operating | -40°C to +85°C |

Electrical

| | |
|-------------------------------|----|
| Current - Maximum per Contact | 1A |
|-------------------------------|----|

Material Info

Reference - Drawing Numbers

| | |
|-------------------------|--|
| Packaging Specification | SPK-501939-001 |
| Product Specification | PS-501940-001, RPS-501940-001, RPS-501940-002, RPS-501940-004, RPS-501940-006 |
| Sales Drawing | SD-501939-001 |

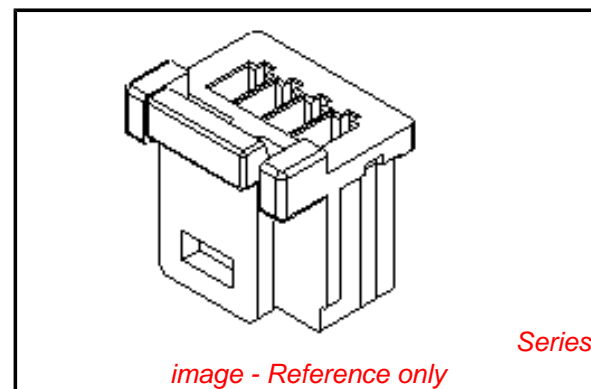


image - Reference only

EU RoHS

**ELV and RoHS
Compliant**
**REACH SVHC
Contains SVHC: No
Low-Halogen Status
Low-Halogen**

China RoHS



**Need more information on product
environmental compliance?**

Email productcompliance@molex.com
For a multiple part number RoHS Certificate of
Compliance, [click here](#)

Please visit the [Contact Us](#) section for any
non-product compliance questions.

Search Parts in this Series

[501939Series](#)

Mates With

[501940](#) Vertical PCB Header, [501953](#) Right
Angle PCB Header

Use With

[501334](#) Crimp Terminal