

PLEASE CHECK WWW.MOLEX.COM FOR LATEST PART INFORMATION

Part Number: [501930-1100](#)
Status: **Active**
Overview: [Duo-Clasp™](#)
Description: 1.25mm Pitch Duo-Clasp™ Wire-to-Board Crimp Terminal, Reel

Documents:

Drawing (PDF)	Application Specification AS-503110-002 (PDF)
Product Specification PS-501931-002 (PDF)	Packaging Specification SPK-501930-001 (PDF)
Application Specification AS-503110-001 (PDF)	RoHS Certificate of Compliance (PDF)

General

Product Family	Crimp Terminals
Series	501930
Application	Signal
Crimp Quality Equipment	Yes
Overview	Duo-Clasp™
Product Name	Duo-Clasp™
UPC	822350237017

Physical

Durability (mating cycles max)	30
Gender	Plug
Material - Metal	Copper Alloy
Material - Plating Mating	Gold
Material - Plating Termination	Tin
Net Weight	16.452/mg
Packaging Type	Reel
Plating min - Mating	0.102µm
Plating min - Termination	1.016µm
Wire Insulation Diameter	0.80-1.0mm
Wire Size AWG	26, 28
Wire Size mm²	N/A

Electrical

Current - Maximum per Contact	1A
Voltage - Maximum	50V AC (RMS)/DC

Material Info

Reference - Drawing Numbers

Application Specification	AS-503110-001, AS-503110-002
Packaging Specification	SPK-501930-001
Product Specification	PS-501931-002, RPS-501931-001, RPS-501931-002, RPS-501931-003, RPS-501931-004, RPS-501931-005
Sales Drawing	SD-501930-001

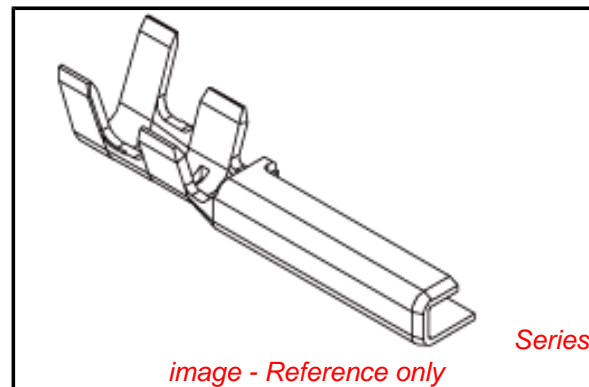


image - Reference only

EU RoHS

ELV and RoHS Compliant

REACH SVHC

**Contains SVHC: No
Low-Halogen Status
Low-Halogen**

China RoHS



Need more information on product environmental compliance?

Email productcompliance@molex.com
 For a multiple part number RoHS Certificate of Compliance, [click here](#)

Please visit the [Contact Us](#) section for any non-product compliance questions.

Search Parts in this Series

[501930Series](#)

Mates With

[501931 PCB Receptacle](#) . [502046 PCB Receptacle](#)

Use With

[503110 Crimp Housing](#)

Application Tooling | FAQ

Tooling specifications and manuals are found by selecting the products below. Crimp Height Specifications are then contained in the Application Tooling Specification document.

Global

Description	Product #
Extraction Tool	0638132700
T2 Terminator	0639106600
Tooling Die for 1.25mm Pitch Wire-to-Board Connector	

Dual Plug Terminals,
26-28 AWG
Hand Tool for 0638194400
1.25mm Wire-
to-Board Crimp
Terminal, 26-28
AWG Wire
FineAdjust™ 0639006600
Applicator for
1.25mm Pitch Wire-
to-Board Connector
Dual Plug Terminals,
26-28 AWG

Japan

Description	Product #
Applicator for M21 1A Bench Press, 26-28 AWG Wire	<u>5780343000</u>
Hand Crimp Tool - Straight Action	<u>5780345300</u>

This document was generated on 02/11/2013

PLEASE CHECK WWW.MOLEX.COM FOR LATEST PART INFORMATION