

PLEASE CHECK WWW.MOLEX.COM FOR LATEST PART INFORMATION

Part Number: [5018645091](#)
Status: **Active**
Overview: Easy-On FFC FPC Connectors
Description: 0.50mm Pitch Easy-On FFC/FPC-to-Board Connector, Receptacle Housing Assembly, Right-Angle, Surface Mount, with Grounding Terminals, Gold (Au) Plating, 50 Circuits

Documents:

3D Model	Product Specification PS-501864-004-001 (PDF)
Drawing (PDF)	Packaging Specification 5018649200-SPK-200 (PDF)
3D Model (PDF)	RoHS Certificate of Compliance (PDF)

Agency Certification

UL E29179

General

Product Family	FFC/FPC Connectors
Series	501864
Comments	Requires a custom FFC/FPC with notches
Overview	Easy-On FFC FPC Connectors
Product Name	Easy-On
UPC	887191465050

Physical

Actuator Type	FFC/FPC-to-Board
Circuits (Loaded)	50
Circuits (maximum)	50
Color - Resin	Black
Contact Position	Bottom
Durability (mating cycles max)	20
Flammability	94V-0
Mated Height	4.85mm
Material - Metal	Phosphor Bronze
Material - Plating Mating	Gold
Material - Plating Termination	Gold
Material - Resin	Liquid Crystal Polymer
Net Weight	1055.692/mg
Number of Rows	1
Orientation	Right Angle
PCB Locator	Yes
PCB Mounting	Surface Mount
PCB Retention	Yes
Packaging Type	Embossed Tape on Reel
Pitch - Mating Interface	0.50mm
Plating min - Mating	0.100µm
Plating min - Termination	0.051µm
Polarized to PCB	Yes
Stackable	No
Temperature Range - Operating	-40° to +105°C
Wire/Cable Type	FFC/FPC

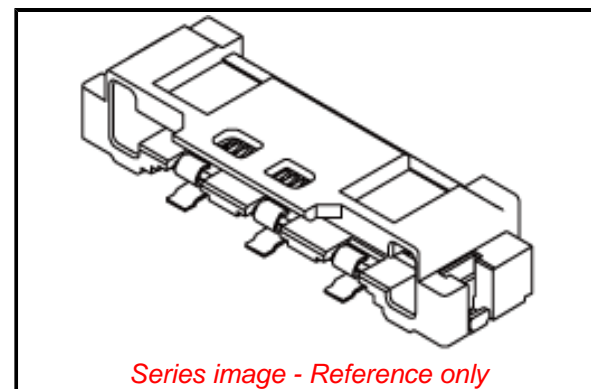
Electrical

Current - Maximum per Contact	0.5A
Voltage - Maximum	50V

Material Info

Reference - Drawing Numbers

Packaging Specification	5018649200-SPK-200
-------------------------	--------------------



EU ELV

Not Relevant

EU RoHS

Compliant

REACH SVHC

Not Contained Per -
D(2020)4578-DC (25
June 2020)

Halogen-Free

Status

Low-Halogen

For more information, please visit [Contact US](#)

China ROHS

ELV

RoHS Phthalates

China RoHS

Green Image

Not Relevant

Not Contained

Search Parts in this Series

[501864 Series](#)

Mates With

Premo-Flex LVDS Cable [15022](#)

Use With

Plug Jacket [5031505009](#) . Plug Jacket
Cover [5031515009](#)

This document was generated on 10/23/2020

PLEASE CHECK WWW.MOLEX.COM FOR LATEST PART INFORMATION