

**PLEASE CHECK WWW.MOLEX.COM FOR LATEST PART INFORMATION**

**Part Number:** [5018442610](#)  
**Status:** **Active**  
**Overview:** [MicroClasp Wire-to-Board System](#)  
**Description:** 2.00mm Pitch MicroClasp Wire-to-Board Header, Dual Row, Vertical, 26 Circuits, with PCB Locator

**Documents:**

[3D Model](#) [Packaging Specification 5018449200-200 \(PDF\)](#)  
[Drawing \(PDF\)](#) [RoHS Certificate of Compliance \(PDF\)](#)  
[Product Specification PS-501844-001-001 \(PDF\)](#)

**General**

Product Family	PCB Headers
Series	<a href="#">501844</a>
Application	Signal, Wire-to-Board
Overview	<a href="#">MicroClasp Wire-to-Board System</a>
Product Name	MicroClasp
UPC	822350108003

**Physical**

Breakaway	No
Circuits (Loaded)	26
Circuits (maximum)	26
Color - Resin	Natural
Durability (mating cycles max)	30
Glow-Wire Capable	No
Guide to Mating Part	No
Keying to Mating Part	None
Lock to Mating Part	Yes
Material - Plating Mating	Tin
Material - Resin	Polyester
Net Weight	1935.040/mg
Number of Rows	2
Orientation	Vertical
PC Tail Length	3.20mm
PCB Locator	Yes
PCB Retention	None
PCB Thickness - Recommended	1.60mm
Packaging Type	Tray
Pitch - Mating Interface	2.00mm
Polarized to Mating Part	Yes
Polarized to PCB	Yes
Shrouded	Fully
Stackable	No
Surface Mount Compatible (SMC)	No
Temperature Range - Operating	-25° to +85°C
Termination Interface: Style	Through Hole

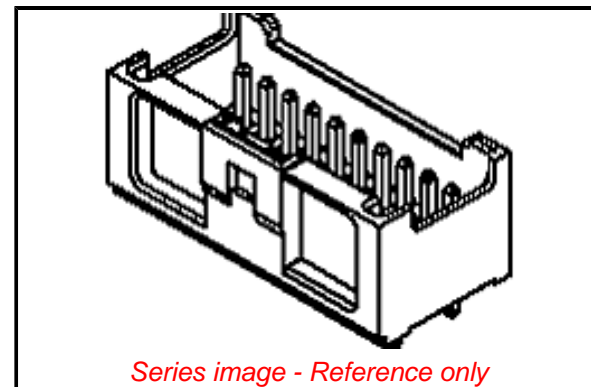
**Electrical**

Current - Maximum per Contact	3.0A
Voltage - Maximum	250V

**Material Info**

**Reference - Drawing Numbers**

Packaging Specification	5018449200-200
Product Specification	PS-501844-001-001
Sales Drawing	SD-501844-001



*Series image - Reference only*

**EU ELV**

**Not Relevant**

**EU RoHS**

**Compliant**

**REACH SVHC**

Not Contained Per  
-ED/88/2018 (15  
January 2019)

**Halogen-Free**

**Status**

**Not Low-Halogen**

For more information, please visit [Contact US](#)

China ROHS

ELV

RoHS Phthalates

**China RoHS**

Green Image

Not Relevant

Not Contained

**Search Parts in this Series**

[501844 Series](#)

**Mates With**

[51353](#) MicroClasp Wire-to-Board Receptacle Housing

This document was generated on 03/19/2019

**PLEASE CHECK [WWW.MOLEX.COM](http://WWW.MOLEX.COM) FOR LATEST PART INFORMATION**