

PLEASE CHECK WWW.MOLEX.COM FOR LATEST PART INFORMATION

Part Number: [5018441010](#)
Status: **Active**
Overview: [MicroClasp Wire-to-Board System](#)
Description: 2.00mm Pitch MicroClasp Wire-to-Board Header, Dual Row, Vertical, 10 Circuits, with PCB Locator

Documents:

3D Model	Product Specification PS-501844-001-001 (PDF)
Drawing (PDF)	Packaging Specification 5018449200-200 (PDF)
3D Model (PDF)	RoHS Certificate of Compliance (PDF)

General

Product Family	PCB Headers
Series	501844
Application	Signal, Wire-to-Board
Overview	MicroClasp Wire-to-Board System
Product Name	MicroClasp
UPC	822350107921

Physical

Breakaway	No
Circuits (Loaded)	10
Circuits (maximum)	10
Color - Resin	Natural
Durability (mating cycles max)	30
First Mate / Last Break	No
Glow-Wire Capable	No
Guide to Mating Part	No
Keying to Mating Part	None
Lock to Mating Part	Yes
Material - Plating Mating	Tin
Material - Resin	Polyester
Net Weight	945.100/mg
Number of Rows	2
Orientation	Vertical
PC Tail Length	3.20mm
PCB Locator	Yes
PCB Retention	None
PCB Thickness - Recommended	1.60mm
Packaging Type	Tray
Pitch - Mating Interface	2.00mm
Polarized to Mating Part	Yes
Polarized to PCB	Yes
Shrouded	Fully
Stackable	No
Surface Mount Compatible (SMC)	No
Temperature Range - Operating	-25° to +85°C
Termination Interface: Style	Through Hole

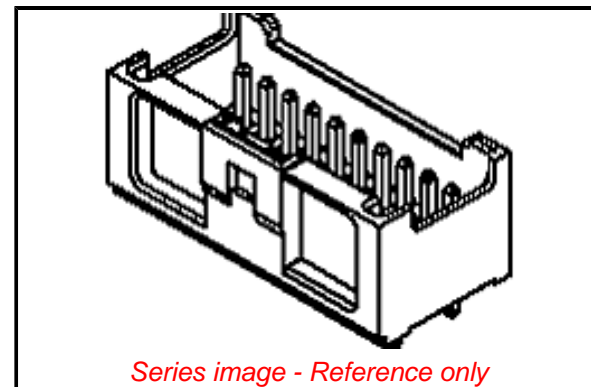
Electrical

Current - Maximum per Contact	3.0A
Voltage - Maximum	250V

Material Info

Reference - Drawing Numbers

Packaging Specification	5018449200-200
Product Specification	PS-501844-001-001



Series image - Reference only

EU ELV

Not Relevant

EU RoHS

Compliant

REACH SVHC

Not Contained Per -
ECHA_01_2020 (16
January 2020

Halogen-Free

Status

Not Low-Halogen

For more information, please visit [Contact US](#)

China ROHS

ELV

RoHS Phthalates

China RoHS

Green Image

Not Relevant

Not Contained

Search Parts in this Series

[501844 Series](#)

Mates With

[51353](#) MicroClasp Wire-to-Board Receptacle Housing

This document was generated on 04/14/2020

PLEASE CHECK WWW.MOLEX.COM FOR LATEST PART INFORMATION