

PLEASE CHECK WWW.MOLEX.COM FOR LATEST PART INFORMATION

Part Number: [501784-3009](#)
Status: **Active**
Description: 0.50mm Pitch FFC-to-Board Connector, Plug Jacket Cover, 30 Circuits

Documents:

[3D Model](#) [Packaging Specification SPK-501784-001 \(PDF\)](#)
[Drawing \(PDF\)](#) [RoHS Certificate of Compliance \(PDF\)](#)
[Product Specification PS-501864-004 \(PDF\)](#)

General

Product Family	Accessories
Series	501784
Comments	Requires a custom FFC with notches
Component Type	Jacket Cover
Product Name	N/A
UPC	822350783804

Physical

Breakaway	No
Circuits (Loaded)	30
Color - Resin	Black
Gender	Plug
Material - Resin	Polyester
Net Weight	111.500/mg
Packaging Type	Bag
Polarized to Mating Part	Yes
Temperature Range - Operating	-40°C to +85°C

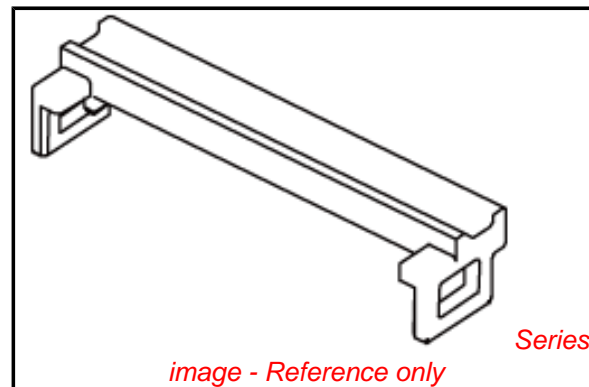
Electrical

Current - Maximum per Contact	0.5A
-------------------------------	------

Material Info

Reference - Drawing Numbers

Packaging Specification	SPK-501784-001
Product Specification	PS-501864-004, RPS-501786-001, RPS-501864-001, RPS-501864-004, RPS-501864-008
Sales Drawing	SD-501784-001, SD-501784-004



EU RoHS

**ELV and RoHS
Compliant**
**REACH SVHC
Contains SVHC: No
Low-Halogen Status
Not Low-Halogen**

China RoHS



**Need more information on product
environmental compliance?**

Email productcompliance@molex.com
For a multiple part number RoHS Certificate of Compliance, [click here](#)

Please visit the [Contact Us](#) section for any non-product compliance questions.

Search Parts in this Series

501784Series

Use With

501786 FFC-to-Board Connector, 501864 FFC-to-Board Connector, 501783 Plug Jacket