

PLEASE CHECK WWW.MOLEX.COM FOR LATEST PART INFORMATION

Part Number: [501784-8009](#)
Status: **Active**
Description: 0.50mm Pitch FFC-to-Board Connector, Plug Jacket Cover, 80 Circuits

Documents:

3D Model	Product Specification PS-501864-001 (PDF)
Drawing (PDF)	Packaging Specification SPK-501784-001 (PDF)
Product Specification PS-501786-001 (PDF)	RoHS Certificate of Compliance (PDF)

General

Product Family	Accessories
Series	501784
Comments	Requires a custom FFC with notches
Component Type	Jacket Cover
Product Name	N/A
UPC	822350232128

Physical

Breakaway	No
Circuits (Loaded)	80
Color - Resin	Black
Gender	Plug
Material - Resin	Polyester
Net Weight	238.200/mg
Packaging Type	Bag
Polarized to Mating Part	Yes
Temperature Range - Operating	-40°C to +85°C

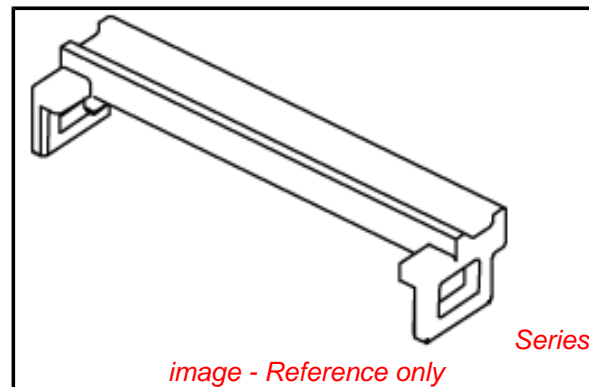
Electrical

Current - Maximum per Contact	0.5A
-------------------------------	------

Material Info

Reference - Drawing Numbers

Packaging Specification	SPK-501784-001
Product Specification	PS-501786-001, PS-501864-001, RPS-501786-006, RPS-501864-006
Sales Drawing	SD-501784-001



EU RoHS

ELV and RoHS Compliant

REACH SVHC

Not Reviewed

Low-Halogen Status

Not Low-Halogen

China RoHS



Need more information on product environmental compliance?

Email productcompliance@molex.com
 For a multiple part number RoHS Certificate of Compliance, [click here](#)

Please visit the [Contact Us](#) section for any non-product compliance questions.

Search Parts in this Series

501784Series

Use With

501786 FFC-to-Board Connector, 501864 FFC-to-Board Connector, 501783 Plug Jacket