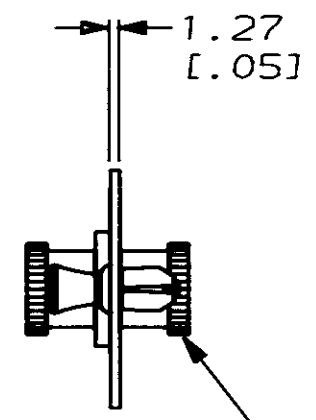
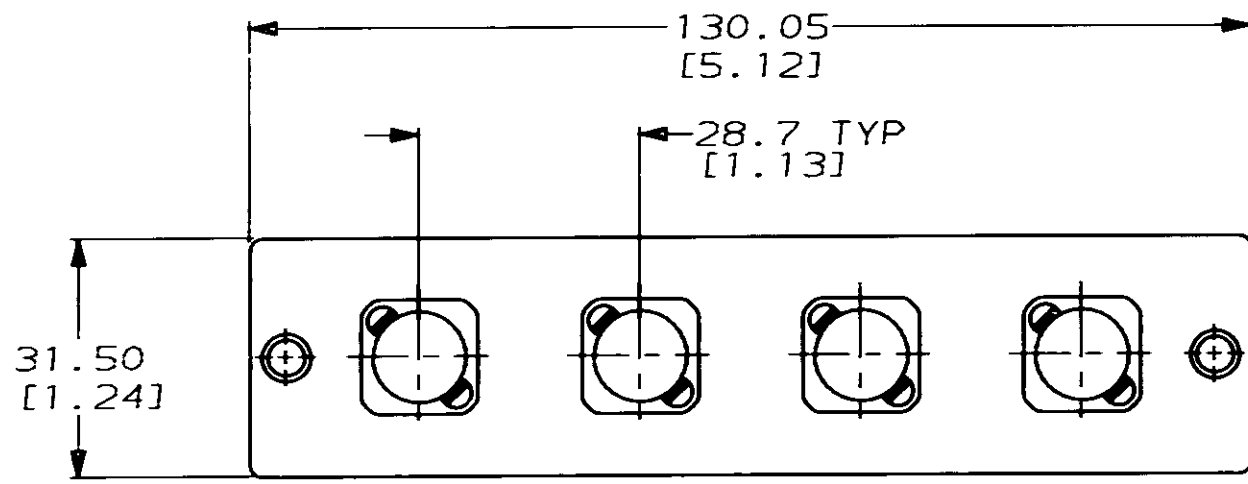
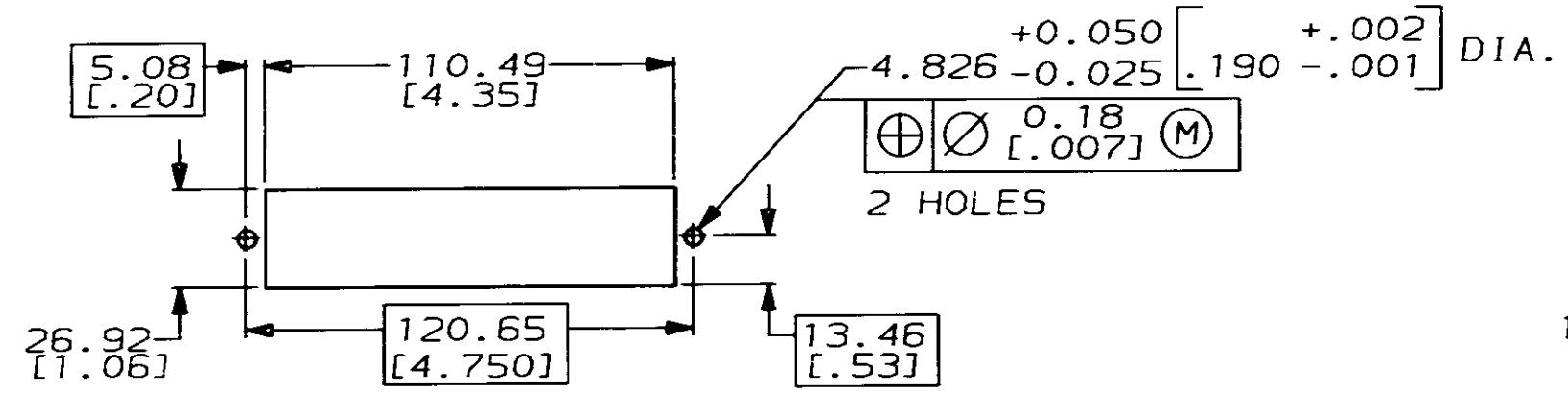


THIS DRAWING IS UNPUBLISHED. RELEASED FOR PUBLICATION , 19 .
 © COPYRIGHT 19 BY AMP INCORPORATED, HARRISBURG, PA. ALL INTERNATIONAL RIGHTS RESERVED. AMP PRODUCTS MAY BE COVERED BY U.S. AND FOREIGN PATENTS AND/OR PATENTS PENDING.

LOC	DIST	P	F	REVISIONS				
				ZONE	LTR	DESCRIPTION	DATE	APPROVED
CE	16			A		REV PER CE-1101	1-18-87	OK WS
				B		REV PER CE-1796	9-26-89	DE WE



COUPLING BUSHING KIT
P/N 501506-2



PANEL CUTOUT

MIN PANEL THICKNESS = 0.533 [0.021]
 MAX PANEL THICKNESS = 2.946 [0.116]

1. DIMENSIONS SHOWN IN [] ARE IN INCHES.

METRIC

501515-1
PART NO

UNLESS OTHERWISE SPECIFIED DIMENSIONS ARE IN MM. TOLERANCES ON: 2 PL DEC ± 0.25 [0.01] 3 PL DEC ± - ANGLES ± -		DR. ZEIDERS 5/5/87	AMP INCORPORATED Harrisburg, Pa. 17105
MATERIAL COUPLING BRASS/ BUSHING: CERAMIC PANEL: STEEL		CHK. K. MONROE 5/5/87 APPD. W. SAVITSKY 4/30/87	
FINISH COUPLING NICKEL PL. BUSHING: WHITE PANEL: ENAMEL		APPD. D. THOMPSON 5/6/87 PRODUCT SPEC - APPLICATION SPEC - WEIGHT -	NAME PANEL ASSY, 4-PACK 2.5mm THREADED, OPTIMATE
		SIZE B	FSCM NO 00779 DRAWING NO 501515
		SCALE NTS	SHEET 1 OF 1