

**PLEASE CHECK WWW.MOLEX.COM FOR LATEST PART INFORMATION**

**Part Number:** [501328-0222](#)  
**Status:** **Active**  
**Overview:** [Inertia Lock 3.30mm Wire-to-Wire System](#)  
**Description:** 3.30mm Pitch Wire-to-Wire Inertia Lock Receptacle Housing, Single Row, 2 Circuits, Red

**Documents:**

[3D Model](#) [Product Specification PS-501328-001 \(PDF\)](#)  
[Drawing \(PDF\)](#) [RoHS Certificate of Compliance \(PDF\)](#)

**General**

Product Family	Crimp Housings
Series	<a href="#">501328</a>
Application	Signal, Wire-to-Wire
Overview	<a href="#">Inertia Lock 3.30mm Wire-to-Wire System</a>
Product Name	Inertia Lock
UPC	822348797011

**Physical**

Circuits (maximum)	2
Color - Resin	Red
Gender	Female
Glow-Wire Compliant	No
Lock to Mating Part	Yes
Material - Resin	Nylon
Net Weight	680.000/mg
Number of Rows	1
Packaging Type	Bag
Panel Mount	No
Pitch - Mating Interface	3.30mm
Polarized to Mating Part	Yes
Stackable	No
Temperature Range - Operating	-25°C to +80°C

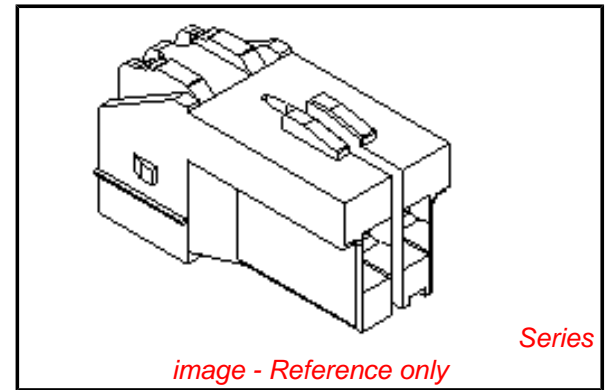
**Electrical**

Current - Maximum per Contact	4A
-------------------------------	----

**Material Info**

**Reference - Drawing Numbers**

Product Specification	PS-501328-001, RPS-501328-002, RPS-501328-003
Sales Drawing	SD-501328-001



**EU RoHS**

**ELV and RoHS Compliant**

**REACH SVHC**

Not Reviewed

**Low-Halogen Status**

**Low-Halogen**

**China RoHS**



**Need more information on product environmental compliance?**

Email [productcompliance@molex.com](mailto:productcompliance@molex.com)  
 For a multiple part number RoHS Certificate of Compliance, [click here](#)

Please visit the [Contact Us](#) section for any non-product compliance questions.

**Search Parts in this Series**

[501328Series](#)

**Mates With**

[501329-0222](#) Plug Housing . [56265](#) Plug Terminal for 18-20 AWG. [56279](#) Plug Terminal for 22-26 AWG

**Use With**

[51348-0213](#) Retainer . [501395](#) Receptacle Terminal for 18-20 AWG. [500989](#) Receptacle Terminal for 22-26 AWG