

PLEASE CHECK WWW.MOLEX.COM FOR LATEST PART INFORMATION

Part Number: [500655-0619](#)
Status: **Active**
Description: 2.00mm Pitch Serial I/O Connector, Socket Kit, Wire-to-Wire Crimp Type, With Flange, 6 Circuits, Lead-Free

Documents:

[Drawing \(PDF\)](#) [RoHS Certificate of Compliance \(PDF\)](#)
[Product Specification PS-500655-002 \(PDF\)](#)

General

Product Family	I/O Connectors
Series	500655
Application	Wire-to-Wire
Component Type	Receptacle
Product Name	N/A
Type	N/A
UPC	822348383092

Physical

Boot Color	N/A
Circuits (Loaded)	6
Circuits (maximum)	6
Color - Resin	Black, Gray
Durability (mating cycles max)	750
Gender	Socket
Lock to Mating Part	Yes
Material - Metal	Phosphor Bronze, Steel
Material - Plating Mating	N/A
Material - Resin	Polycarbonate, Polyester
Net Weight	10809.928/mg
Number of Rows	2
Orientation	Vertical
PCB Locator	No
Packaging Type	Bag
Panel Mount	With Flange
Pitch - Mating Interface	2.00mm
Pitch - Termination Interface	2.00mm
Polarized to Mating Part	Yes
Polarized to PCB	N/A
Ports	1
Surface Mount Compatible (SMC)	Yes
Temperature Range - Operating	-40°C to +85°C
Termination Interface: Style	N/A
Waterproof / Dustproof	No

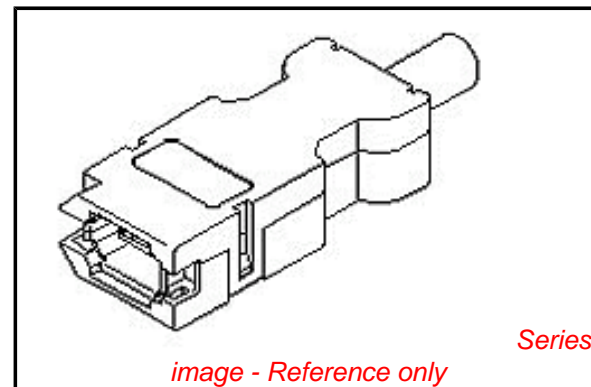
Electrical

Current - Maximum per Contact	1.5A
Shield Type	Full Shield
Shielded	Yes
Voltage - Maximum	125V AC (RMS)/DC

Material Info

Reference - Drawing Numbers

Product Specification	PS-500655-002
Sales Drawing	SD-500655-011



EU RoHS

**ELV and RoHS
Compliant**
**REACH SVHC
Contains SVHC: No**
**Low-Halogen Status
Not Low-Halogen**

China RoHS



**Need more information on product
environmental compliance?**

Email productcompliance@molex.com
 For a multiple part number RoHS Certificate of Compliance, [click here](#)

Please visit the [Contact Us](#) section for any non-product compliance questions.

Search Parts in this Series

[500655Series](#)

Mates With

[500654 Plug Kit](#)

Use With

[500145 Crimp Terminal](#)

This document was generated on 10/08/2014

PLEASE CHECK WWW.MOLEX.COM FOR LATEST PART INFORMATION