

**PLEASE CHECK WWW.MOLEX.COM FOR LATEST PART INFORMATION**

**Part Number:** [500655-0609](#)  
**Status:** **Active**  
**Description:** 2.00mm Pitch Serial I/O Connector, Socket Kit, Wire-to-Wire Crimp Type, Without Flange, 6 Circuits, Lead-Free

**Documents:**

[Drawing \(PDF\)](#) [RoHS Certificate of Compliance \(PDF\)](#)  
[Product Specification PS-500655-002 \(PDF\)](#)

**General**

Product Family	I/O Connectors
Series	500655
Application	Wire-to-Wire
Component Type	Receptacle
Product Name	N/A
Type	N/A
UPC	822348383078

**Physical**

Boot Color	N/A
Circuits (Loaded)	6
Circuits (maximum)	6
Color - Resin	Black, Gray
Durability (mating cycles max)	750
Gender	Plug
Lock to Mating Part	Yes
Material - Metal	Phosphor Bronze, Steel
Material - Plating Mating	N/A
Material - Resin	Polycarbonate, Polyester
Net Weight	17722.928/mg
Number of Rows	2
Orientation	Vertical
PCB Locator	No
Packaging Type	Bag
Panel Mount	No
Pitch - Mating Interface	2.00mm
Pitch - Termination Interface	2.00mm
Polarized to Mating Part	Yes
Polarized to PCB	N/A
Ports	1
Surface Mount Compatible (SMC)	Yes
Temperature Range - Operating	-40°C to +85°C
Termination Interface: Style	N/A
Waterproof / Dustproof	No

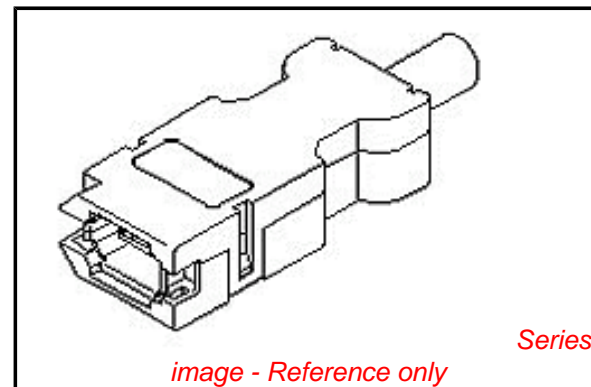
**Electrical**

Current - Maximum per Contact	1.5A
Shield Type	Full Shield
Shielded	Yes
Voltage - Maximum	125V AC (RMS)/DC

**Material Info**

**Reference - Drawing Numbers**

Product Specification	PS-500655-002
Sales Drawing	SD-500655-009



**EU RoHS**

**ELV and RoHS  
Compliant**  
**REACH SVHC  
Contains SVHC: No  
Low-Halogen Status  
Not Low-Halogen**

**China RoHS**



**Need more information on product  
environmental compliance?**

Email [productcompliance@molex.com](mailto:productcompliance@molex.com)  
For a multiple part number RoHS Certificate of Compliance, [click here](#)

Please visit the [Contact Us](#) section for any non-product compliance questions.

**Search Parts in this Series**

500655Series

**Mates With**

500654 Plug Kit

**Use With**

500145 Crimp Terminal

This document was generated on 10/14/2014

**PLEASE CHECK [WWW.MOLEX.COM](http://WWW.MOLEX.COM) FOR LATEST PART INFORMATION**