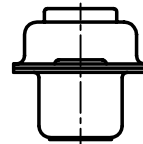
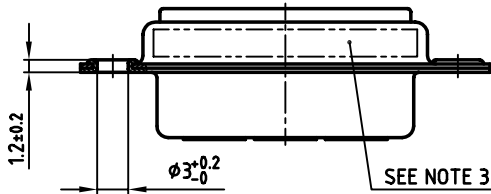
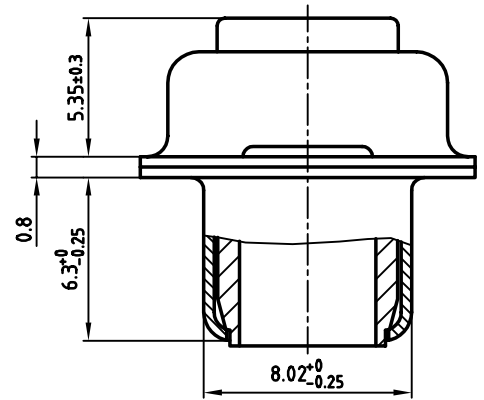
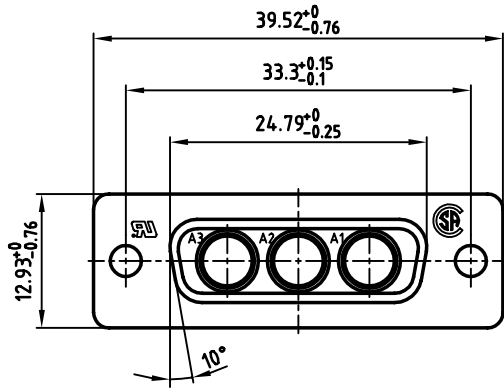
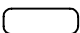


used for: D-SUB COMBINATION

5:1



NOTES:

- METALSHELLS: STEEL; min. 320µ" YELLOW CROMATE
- INSULATORS: PBT GF UL 94 V-0, GREEN
- CONNECTOR IS PART MARKED: 5003W3SXX99A10X CONEC Y/WW
-  = CHECK DIMENSION

APPROVAL # FREIGABE # DEBLOCAGE # AUTORIZACION # APPROVAL	
CUSTOMER APPROVAL DATE:	
NAME:	TITLE:
COMPANY NAME:	
APPROVAL # FREIGABE # DEBLOCAGE # AUTORIZACION # APPROVAL	

THIS DRAWING MAY NOT BE COPIED OR REPRODUCED IN ANY WAY, AND MAY NOT BE PASSED ON TO A THIRD PARTY, WITHOUT WRITTEN PERMISSION. OWNERSHIP AND COPYRIGHT OF CONEC GmbH DO NOT ALTER CAD DRAWING BY HAND

rev.	description	date	name

tolerance		scale:	2:1 (5:1)
dim. in mm		material:	SEE NOTES
2003	date	name	title:
drawn	28.07.	Lehmenkühler	D-SUB COMBINATION FEMALE
appd.	28.07.	Mickenbecker	3W3S
norm			
d-old			
		dwg no:	AutoCAD 2000
			DIN-A
			3
			sh: 1/1
			part no: 5003W3SXX99A10X

dwg no:	AutoCAD 2000	DIN-A
		3
		sh: 1/1
		part no: 5003W3SXX99A10X