

PLEASE CHECK WWW.MOLEX.COM FOR LATEST PART INFORMATION

Part Number: [50039-8100](#)
Status: **Active**
Overview: [Mizu-P25](#)
Description: 2.50mm Pitch Mizu-P25™ Crimp Terminal, 50039, Bag

Documents:

Drawing (PDF)	Application Specification AS-50038-001 (PDF)
Product Specification PS-52048-001 (PDF)	Packaging Specification RPK-50039-901 (PDF)
Product Specification PS-52117-007 (PDF)	RoHS Certificate of Compliance (PDF)

General

Product Family	Crimp Terminals
Series	50039
Application	Signal
Crimp Quality Equipment	Yes
Overview	Mizu-P25
Packaging Alternative	50039-8000 (Reel)
Product Name	Mizu-P25™ Waterproof
UPC	800754368698

Physical

Gender	Female
Material - Metal	Phosphor Bronze
Material - Plating Mating	Tin
Material - Plating Termination	Tin
Net Weight	60.500/mg
Packaging Type	Bag
Plating min - Mating	0.889µm
Plating min - Termination	0.914µm
Termination Interface: Style	Crimp or Compression
Wire Insulation Diameter	1.80-1.90mm
Wire Size AWG	20, 22
Wire Size mm²	N/A

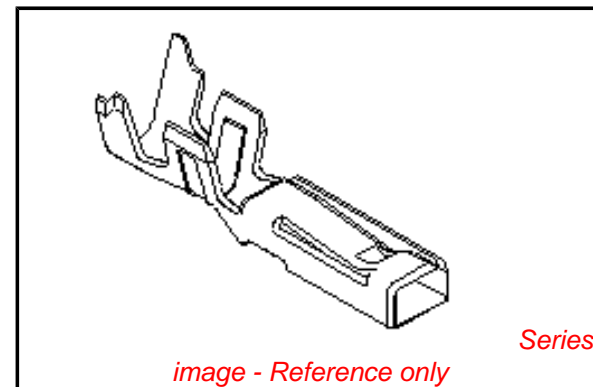
Electrical

Voltage - Maximum	250V
-------------------	------

Material Info

Reference - Drawing Numbers

Application Specification	AS-50038-001
Packaging Specification	RPK-50039-901
Product Specification	PS-52048-001, PS-52117-007, RPS-52048-001
Sales Drawing	SD-50039-001



EU RoHS

ELV and RoHS Compliant
REACH SVHC Contains SVHC: No
Low-Halogen Status Low-Halogen

China RoHS



Need more information on product environmental compliance?

Email productcompliance@molex.com
 For a multiple part number RoHS Certificate of Compliance, [click here](#)

Please visit the [Contact Us](#) section for any non-product compliance questions.

Search Parts in this Series

[50039Series](#)

Mates With

[50038](#)

Use With

[52117](#)

Application Tooling | FAQ

Tooling specifications and manuals are found by selecting the products below. Crimp Height Specifications are then contained in the Application Tooling Specification document.

Global

Description	Product #
Hand Crimp Tool for Splash Proof Crimp Terminal	0638233900

Japan

Description	Product #
Hand Crimper	0570855000
Hand Crimper	0570865000

This document was generated on 02/11/2013

PLEASE CHECK WWW.MOLEX.COM FOR LATEST PART INFORMATION