

PLEASE CHECK WWW.MOLEX.COM FOR LATEST PART INFORMATION

Part Number: [50039-8000](#)
Status: **Active**
Overview: [Mizu-P25](#)
Description: 2.50mm Pitch Mizu-P25™ Crimp Terminal, 50039, Reel

Documents:

Drawing (PDF)	Application Specification AS-50038-001 (PDF)
Product Specification PS-52048-001 (PDF)	Packaging Specification RPK-50039-901 (PDF)
Product Specification PS-52117-007 (PDF)	RoHS Certificate of Compliance (PDF)

General

Product Family	Crimp Terminals
Series	50039
Application	Signal
Crimp Quality Equipment	Yes
Overview	Mizu-P25
Packaging Alternative	50039-8100 (Loose)
Product Name	Mizu-P25™ Waterproof
UPC	800754368681

Physical

Gender	Female
Material - Metal	Phosphor Bronze
Material - Plating Mating	Tin
Material - Plating Termination	Tin
Net Weight	60.500/mg
Packaging Type	Reel
Plating min - Mating	0.889µm
Plating min - Termination	0.914µm
Termination Interface: Style	Crimp or Compression
Wire Insulation Diameter	1.80-1.90mm
Wire Size AWG	20, 22
Wire Size mm²	N/A

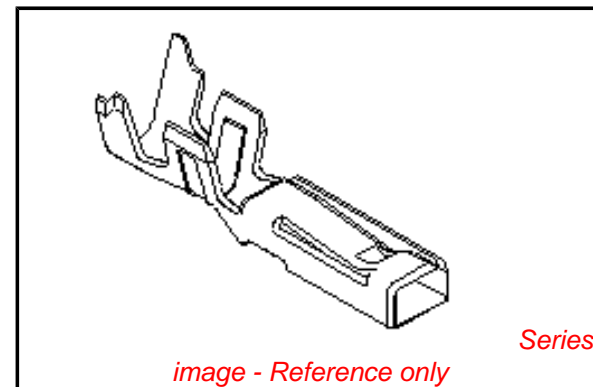
Electrical

Voltage - Maximum	250V
-------------------	------

Material Info

Reference - Drawing Numbers

Application Specification	AS-50038-001
Packaging Specification	RPK-50039-901
Product Specification	PS-52048-001, PS-52117-007, RPS-52048-001
Sales Drawing	SD-50039-001



EU RoHS

**ELV and RoHS
Compliant**

REACH SVHC

**Contains SVHC: No
Low-Halogen Status
Low-Halogen**

China RoHS



**Need more information on product
environmental compliance?**

Email productcompliance@molex.com
 For a multiple part number RoHS Certificate of
 Compliance, [click here](#)

Please visit the [Contact Us](#) section for any
 non-product compliance questions.

Search Parts in this Series

[50039Series](#)

Mates With

[50038](#)

Use With

[52117](#)

Application Tooling | [FAQ](#)

*Tooling specifications and manuals are
 found by selecting the products below.
 Crimp Height Specifications are then
 contained in the Application Tooling
 Specification document.*

Global

Description	Product #
T2 Terminator Tooling Die for 2.50mm Pitch Splash Proof Crimp Terminal, 20-22 AWG	0639100100

Hand Crimp Tool for 0638233900
Splash Proof Crimp
Terminal
FineAdjust™ 0639000100
Applicator for
2.50mm Pitch
Splash Proof Crimp
Terminal, 20-22
AWG

Description	Product #
Applicator for M211A	<u>0570843000</u>
Bench Press	

This document was generated on 02/11/2013

PLEASE CHECK WWW.MOLEX.COM FOR LATEST PART INFORMATION