

PLEASE CHECK WWW.MOLEX.COM FOR LATEST PART INFORMATION

Part Number: [50-36-1688](#)
Status: **Active**
Overview: Standard .093"
Description: 2.36mm Diameter Standard .093" Pin and Socket Plug Housing without Mounting Ears, Positive Lock, 2 Circuits, Glow Wire Compatible

Documents:

[3D Model](#) [RoHS Certificate of Compliance \(PDF\)](#)
[Drawing \(PDF\)](#)

Agency Certification

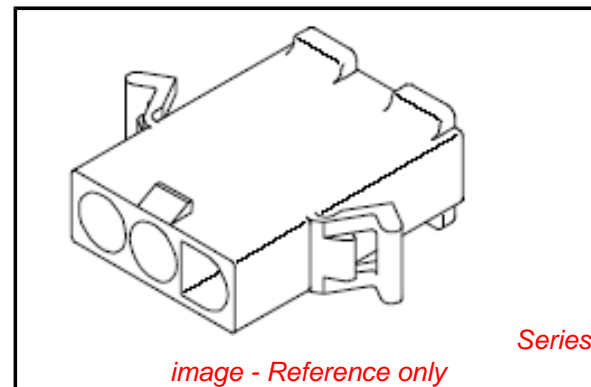
CSA LR19980
 UL E29179

General

Product Family Crimp Housings
 Series [42191](#)
 Application Power, Wire-to-Wire
 Comments Polarized to Mating Part, without Mounting Ears
 <P><P>This Molex product is manufactured from material that has the following ratings, tested by independent agencies :. a) A Glow Wire Ignition Temperature (GWIT) of at least 775 deg C per IEC 60695-2-13.. b) A Glow Wire Flammability Index (GWFI) above 850 deg C per IEC 60695-2-12.and hence complies with the requirements set out in the International Standard IEC 60335-1 5th edition - household and similar electrical appliances - safety; section 30 Resistance to heat and fire.<P><P>The customers using this product must determine its suitability for use in their particular application through testing or other acceptable means as described in end-product glow-wire flammability test standard IEC 60695-2-11 and any applicable product end-use standard(s).<P>If it is determined during the customer's evaluation of suitability, that higher performance is required, please contact Molex for possible product options.
 Overview [Standard .093"](#)
 Product Name [Standard .093"](#)
 UPC [800756884233](#)

Physical

Breakaway No
 Circuits (maximum) 2
 Color - Resin Black
 Flammability 94V-2
 Gender Plug
 Glow-Wire Compliant Yes
 Keying to Mating Part None
 Lock to Mating Part Yes
 Material - Resin Nylon
 Net Weight 1.967/g
 Number of Rows 1
 Packaging Type Bag
 Panel Mount No



EU RoHS

ELV and RoHS Compliant
REACH SVHC Contains SVHC: No
Low-Halogen Status Low-Halogen

China RoHS



Need more information on product environmental compliance?

Email productcompliance@molex.com
 For a multiple part number RoHS Certificate of Compliance, [click here](#)

Please visit the [Contact Us](#) section for any non-product compliance questions.

Search Parts in this Series

[42191Series](#)

Mates With

[050361687](#)

Use With

[1189](#) Crimp Terminals, [1190](#) Crimp Terminals, [1376](#) Male PC Tail Terminals, [1377](#) Female PC Tail Terminals, [1380](#) Male Crimp Terminals, [1381](#) Female Crimp Terminals, [1433](#) Crimp Terminals, [1434](#) Male Crimp Terminals, [1973](#) Male

| | |
|-------------------------------|-----------------|
| Pitch - Mating Interface | 6.30mm |
| Pitch - Termination Interface | 6.30mm |
| Polarized to Mating Part | Yes |
| Ports | 0 |
| Stackable | No |
| Temperature Range - Operating | -55°C to +105°C |

Material Info

| | |
|-----------------|-------------|
| Old Part Number | 42191-2P1-1 |
|-----------------|-------------|

Reference - Drawing Numbers

| | |
|---------------|--------------|
| Sales Drawing | SD-42191-002 |
|---------------|--------------|

This document was generated on 10/04/2012

PLEASE CHECK WWW.MOLEX.COM FOR LATEST PART INFORMATION