

MICON 5, round plunger 14.5 mm, transparent, GH 22 mm

LBL_NRFND



fields of application

- > Measurement-control-regulation
- > Mechanical and system engineering
- > Automotive
- > Signalling systems
- > Vehicle construction
- > Handheld terminals

description

The wide selection of standard plungers in different shapes and colors guarantees a versatile range of applications for the MICON 5 tactile switch.

technical data

> general

Color	transparent
Collar shape	round
Packaging unit	500 pcs.
net weight	0.9 g
MOQ order	500 pcs.
RoHS compliant	Yes
REACH compliant	Yes
Component material	Plastic

direct links

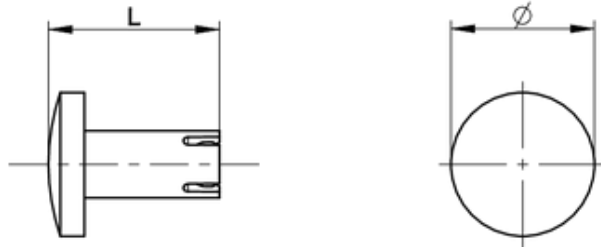
- > [RAFI eCatalog](#)

> mounting diameters

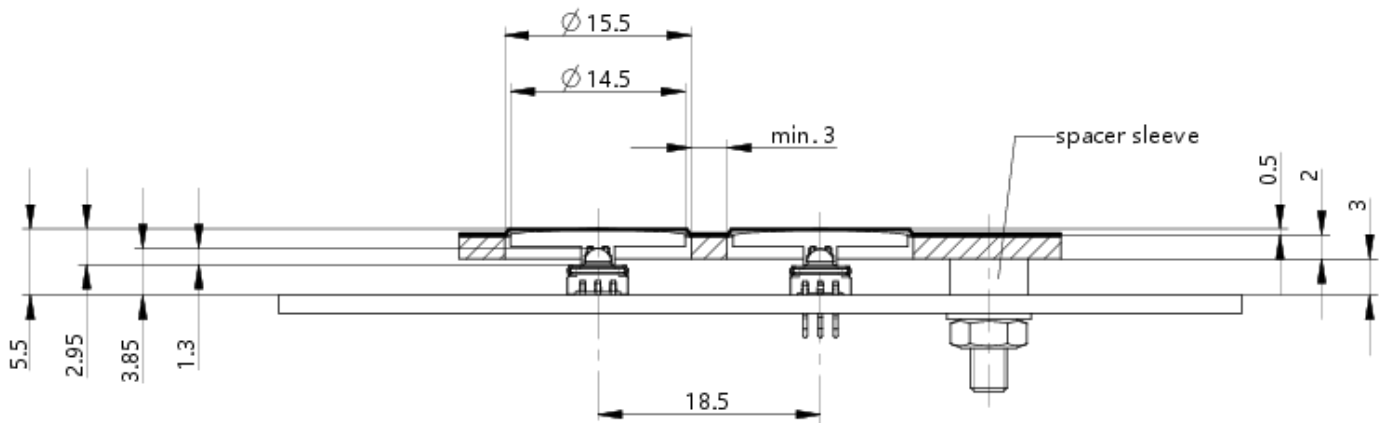
Outside dimension, length	19.45 mm
Outside dimension, width	14.5 mm
Outside dimension, height	14.5 mm
Plunger length L	19.45 mm
Support height A	2.55 (SMT) / 2.5 (THT) mm
Total height GH	22 mm

drawings

Dimensioned drawing

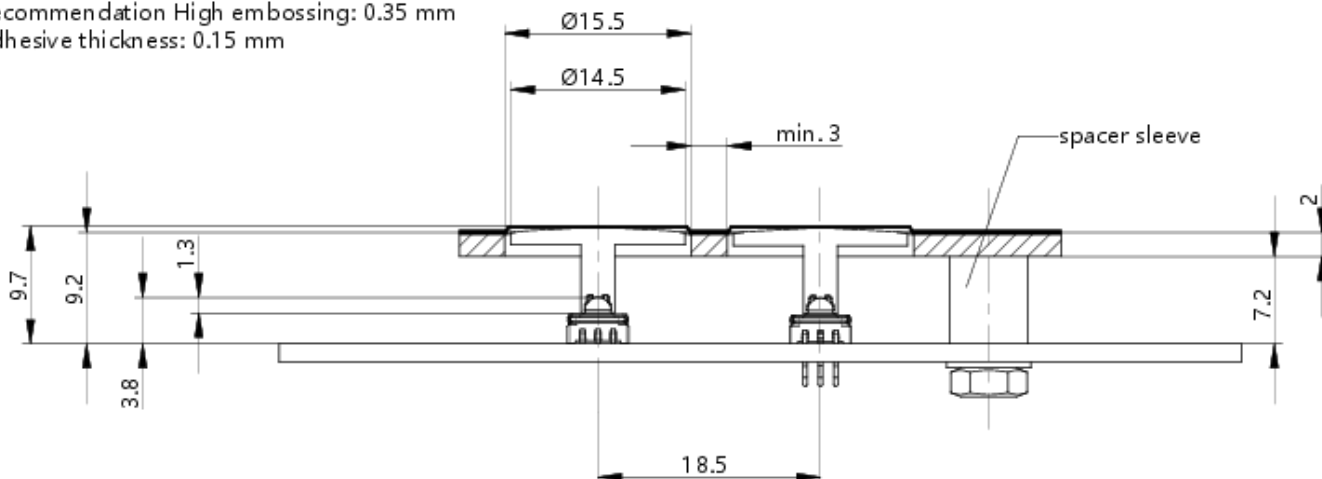


System drawing



System drawing

Recommendation High embossing: 0.35 mm
Adhesive thickness: 0.15 mm



System drawing

suggestion
high embossing: 0.35 mm
glue thickness: 0.15

