

## PCB plug-in socket, 6 contacts (1 NC, 1 NO, lamp socket)

### 5.05.510.646/0000

For soldering onto PCBs. Additional fixing of the PCBs is not required. Solder terminals for PCB 3.5 mm long, for 1.3 mm hole.

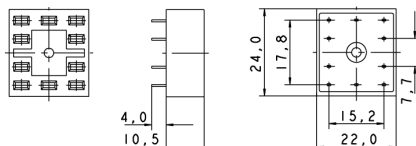
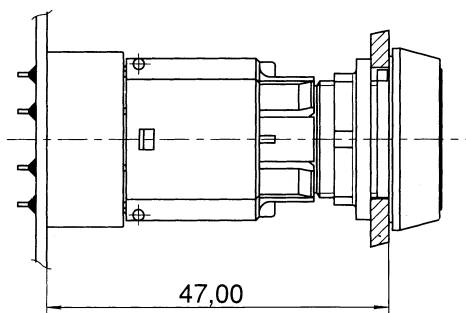


#### Dimensions

Size not mounted	22 mm
Length	22 mm
Width	24 mm
Height	10.5/14.5 mm
Mounting depth	47 mm
Mounting depth	47 mm

#### Other specifications

Contacts	6
Shock resistance acc. to IEC 60068-2-27	amplitude < 50g, 11ms, half sinusoidal
Contact arrangement	1 NC, 1 NO, lamp socket
Ambient temp. operating min.	-25 °C
Ambient temp. operating max. with lamp /LED	+55 °C
Storage temperature min.	-40 °C
Storage temperature max.	+85 °C
Environmental resistance	acc. to IEC 60068-2-14, -30, -33 and -78
Flame class acc. to UL 94	V 0
Hot wire ignition acc. to IEC 60695-2-1	yes
Resistance to vibrations acc. to IEC 60068-2-6	10 g at 20 ... 500 Hz
ROHS compliant	yes
REACH compliant	yes



Technical data are approximate and intended solely for general orientation in the selection of a product. Subject to modifications and errors. Images and other graphics may only be similar. For more information, refer to [www.rafi.de](http://www.rafi.de) chapter Imprint / Data Protection.