

E-BOX MODULAR, emergency stop contact module, 35 V, 2 NC



fields of application

- › Measurement-control-regulation
- › Mechanical and system engineering
- › Construction machinery
- › Industrial robots
- › Model construction
- › Home technology

special features

- › Compact dimensions: 109 x 40 x 27 mm
- › For actuators from the RAFIX 22 FS+ control device series (mounting hole \varnothing 22.3 mm)
- › Switching elements with 2 contacts (for emergency stop "PLUS1" with 3 contacts)
- › Optionally with LED for illuminated actuators
- › With yellow upper housing part for emergency stop actuator
- › With gray upper housing part for standard actuators such as pushbuttons
- › Fastening with time-saving single-hole screw fastening technology, particularly suitable for aluminum profile rails or alternatively direct fastening with M4 screws
- › Includes cable entry for direct cabling: M16 at the side or M20 at the base



description

The elegant and flat E-BOX is the complete housing for RAFIX 22 FS+ control units. It is used where individual control devices are required at remote locations - for example, emergency stop applications along a production facility or at a safety fence. The compact dimensions of the E-BOX are based on the edge dimensions of a 40 mm profile rail. Installation is also designed with this in mind. This is quick and easy thanks to the modular system consisting of a lower and upper housing section, contact module with switching element and emergency stop actuator.

The wiring of the terminals must be carried out by trained specialist personnel.

technical data

› general

Operating temperature, min.	-25 °C
Operating temperature, max.	70 °C
Storage temperature, min.	-40 °C
Storage temperature, max.	80 °C
illuminated	No
Packaging	Box
Packaging unit	1 pcs.
net weight	7.7 g
Operating life electrical	1.000.000 (10mA / 24V DC) cycles

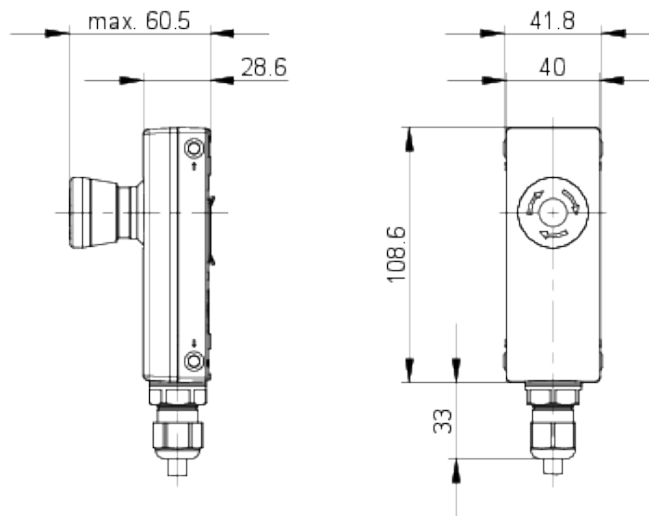
direct links

- › [RAFI eCatalog](#)

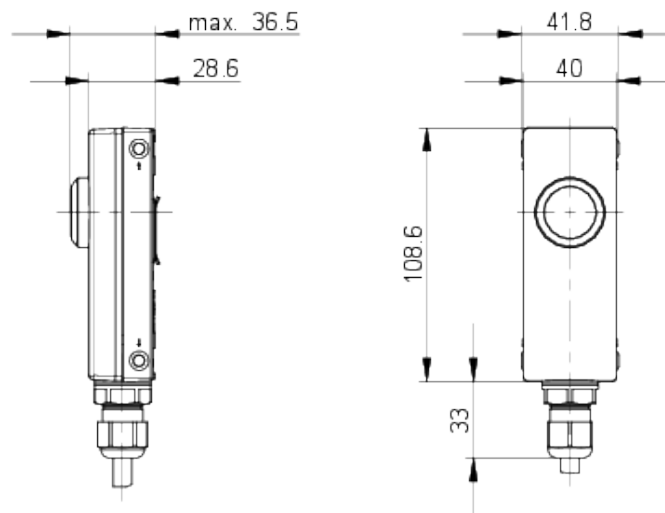
B10 electrical	1.300.000 (10mA / 24V DC) cycles
B10d	2,600,000 cycles
Protection class	II
MOQ order	5 pcs.
RoHS compliant	Yes
REACH compliant	Yes
> mounting diameters	
Outside dimension, length	45 mm
Outside dimension, width	32 mm
Outside dimension, height	17.14 mm
> mechanical data	
Contact function	2 NC
Contact system	Bridge contact
Contact material	Gold
Fixing	Click quick fastener
Terminal on the rear	Cage Clamp®
Abisolierlänge	10 mm
PIN 1	Normally closed contact 1
PIN 2	Normally closed contact 1
PIN 3	Normally closed contact 2
PIN 4	Normally closed contact 2
> electrical data	
Rated voltage, min.	0.02 V
Rated voltage, max.	35 V
Voltage type	AC / DC
Rated operating voltage	0.02-35 V
Rated current, min.	0.001 A
Rated current, max.	0.1 A
Rated power, max.	0.25 W
Power loss	0.00030 W
Maximum connection cross section	0.75 mm ²
Minimum connection cross section	0.2 mm ²

drawings

System drawing



System drawing



Schematic diagram

