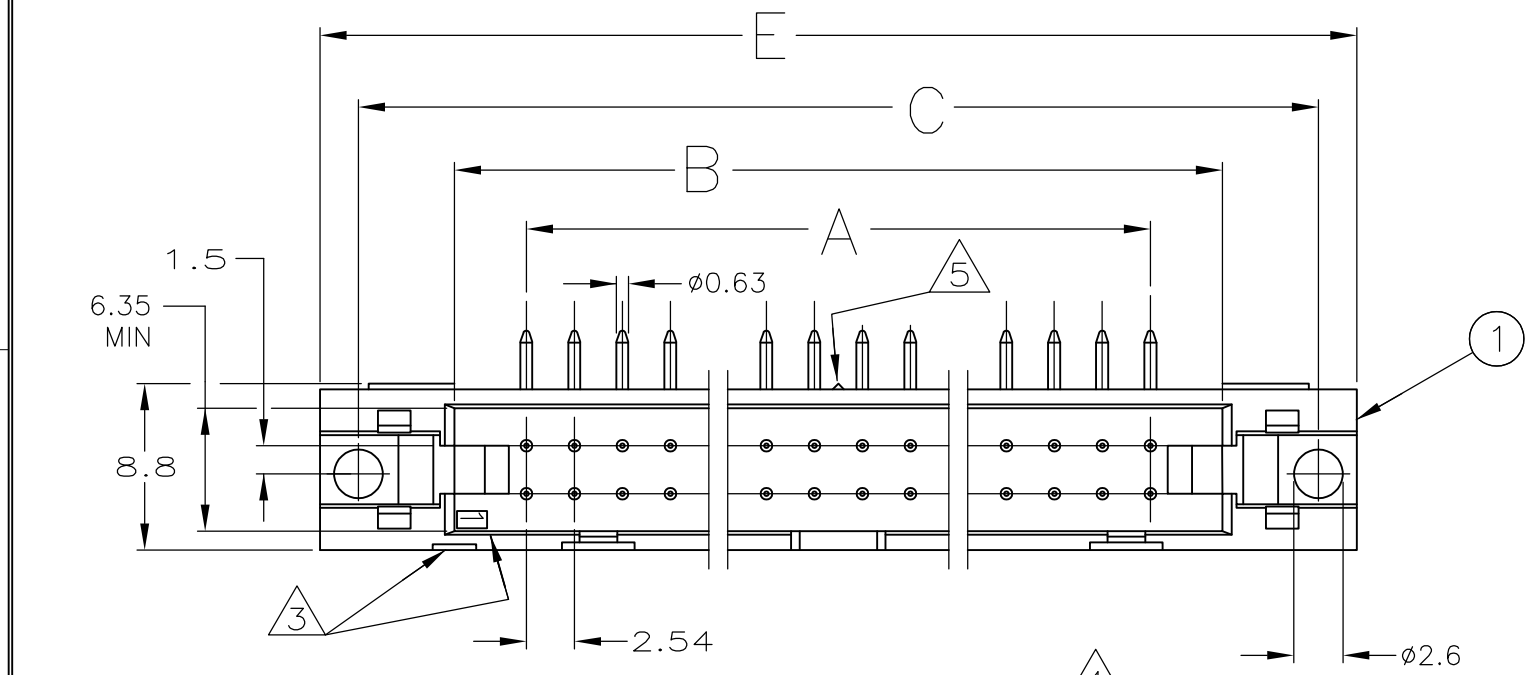
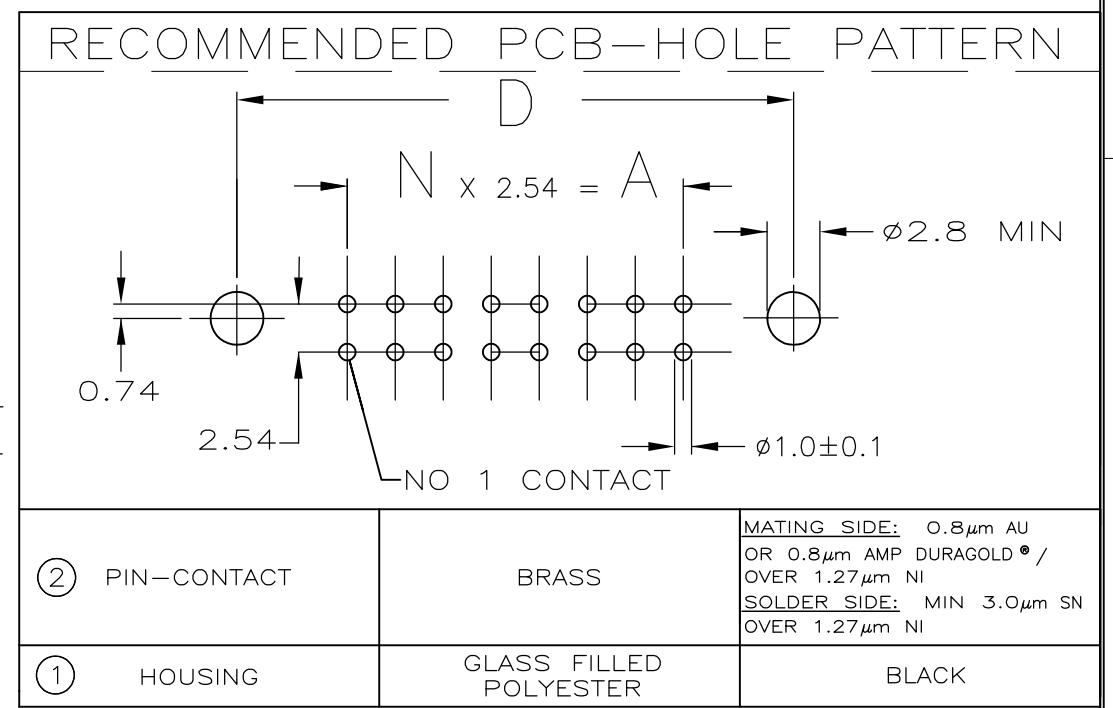
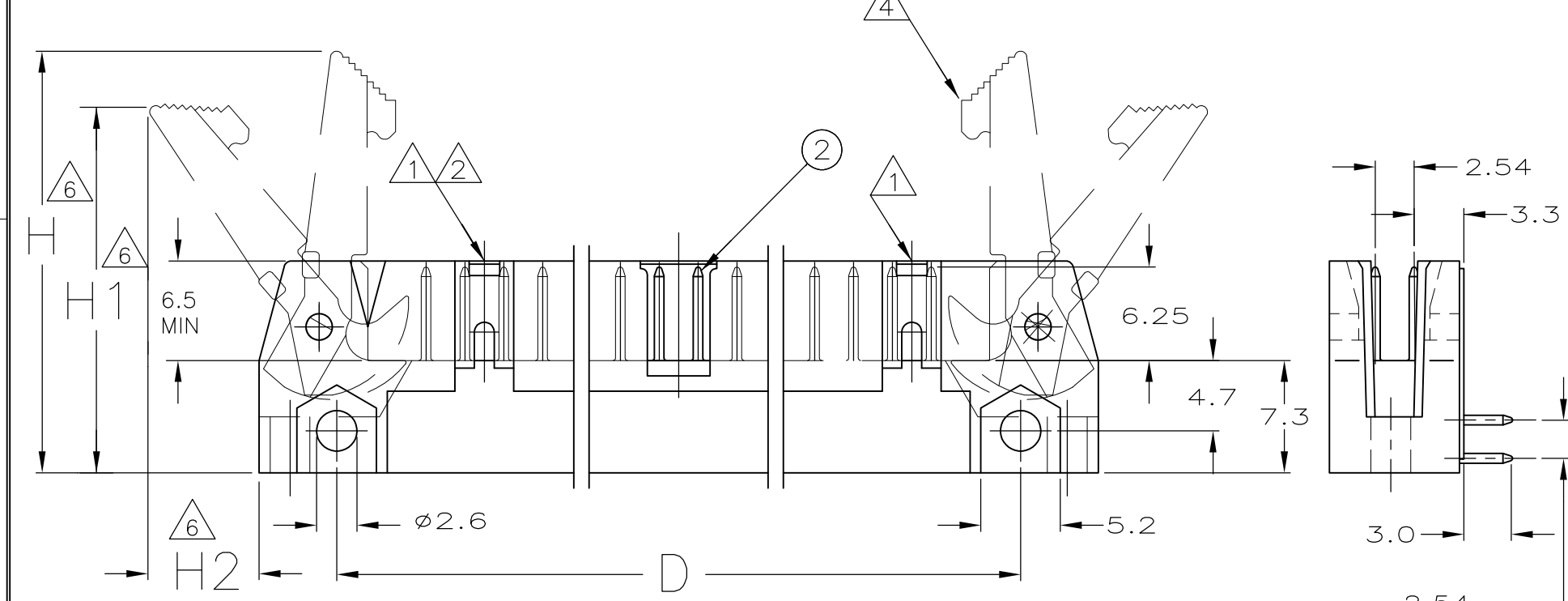


THIS DRAWING IS UNPUBLISHED. RELEASED FOR PUBLICATION  
 © COPYRIGHT - By - ALL RIGHTS RESERVED.

LOC	DIST	REVISIONS					
GP	00	P	LTR	DESCRIPTION	DATE	DWN	APVD
			B	REVISED PER ECO-12-015754	30AUG2012	CJV	SLB



- NOTES**
- ① SNAP-IN POLARIZERS PN 927636-2 OR 927637-2 CAN BE APPLIED.
  - ② THERE IS NO WINDOW FOR SNAP-IN POLARIZERS AT THIS END IN 10 AND 14 POS HEADERS.
  - ③ INDICATION OF FIRST POSITION.
  - ④ SNAP-IN CONNECTOR "LATCH / EJECTOR" PN 2227110-1 OR 2227111-1 CAN BE APPLIED.
  - ⑤ THERE IS NO CENTER STAND-OFF IN 10-26 POS HEADERS.
  - ⑥ DIMENSION WITH EJECTOR : PN 2227111-1 H= 23 MM, PN 2227110-1 H= 27,3 MM.  
 H1= 20,2 MM                      H1= 24 MM  
 H2= 6 MM                            H2= 7 MM



100.6	90.4	96.5	86.4	78.7	64	6-828581-4
95.5	85.3	91.4	81.3	73.7	60	6-828581-0
82.8	72.6	78.7	68.6	61.0	50	5-828581-0
70.1	59.9	66.0	55.9	48.3	40	4-828581-0
62.5	52.3	58.4	48.3	40.6	34	3-828581-4
52.3	42.2	48.3	38.1	30.5	26	2-828581-6
44.7	34.5	40.6	30.5	22.9	20	2-828581-0
39.6	29.5	35.6	25.4	17.8	16	1-828581-6
37.1	26.9	33.0	22.9	15.2	14	1-828581-4
32.0	21.8	27.9	17.8	10.2	10	1-828581-0
E	D	C	B	A	NO OF POSITIONS	PART NUMBER

THIS DRAWING IS A CONTROLLED DOCUMENT.  
 DIMENSIONING AND TOLERANCING PER ASME Y14.5M-2009

DIMENSIONS:	TOLERANCES UNLESS OTHERWISE SPECIFIED:
mm	
0 PLC	± -
1 PLC	± -
2 PLC	± -
3 PLC	± -
4 PLC	± -
ANGLES	± -
MATERIAL	FINISH
-	-

DWN J.v.LIEMPT 29-11-93  
 CHK R. VERSTIJNEN  
 APVD L.v.SOEST  
 PRODUCT SPEC  
 APPLICATION SPEC  
 WEIGHT -

**OBSOLETE** TE Connectivity  
 AMP-LATCH HEADER 90 DEG. VERSION  
**NOT the LATEST REVISION**

SIZE	CAGE CODE	DRAWING NO	RESTRICTED TO
A3	00779	C-828581	-

CUSTOMER DRAWING      SCALE -      SHEET 1 OF 1      REV B