

5-749879-5 ✓ ACTIVE

AMPLIMITE | AMPLIMITE 0.50 Series

TE Internal #: 5-749879-5

IDC D-Sub Connectors, Plug, 30 – 28 AWG Solid Wire Size, .05 – .1 mm² Solid Wire Size, Cable-to-Panel, 50 Position, AMPLIMITE 0.50 Series

[View on TE.com >](#)



Connectors > D-Shaped Connectors > D-Sub Connectors > IDC D-Sub Connectors > IDC D-Sub: Plug Assembly, Panel Mount, Signal, 1.27 mm



Connector & Housing Type: **Plug**

Solid Wire Size: **.05 – .1 mm²**

Shielded: **No**

Connector System: **Cable-to-Panel**

[All IDC D-Sub: Plug Assembly, Panel Mount, Signal, 1.27 mm \(6\)](#)

Features

Product Type Features

Connector & Housing Type	Plug
Connector System	Cable-to-Panel
Connector Product Type	Connector Assembly
Connector & Contact Terminates To	Wire & Cable

Configuration Features

Number of Positions	50
Number of Rows	2
Compatible With Wire & Cable Type	Ribbon Cable, Round Jacketed Cable

Body Features

Cover Material	Thermoplastic
Ribbon Cable Centerline Spacing	1.27 mm[.025 in]
Primary Product Color	Black

Contact Features



Wire Contact Termination Area Plating Material	Tin
Contact Mating Area Plating Material	Gold or Gold Flash over Palladium Nickel
Contact Underplating Material	Nickel, Palladium Nickel
Contact Base Material	Phosphor Bronze
Contact Current Rating (Max)	1 A

Termination Features

Termination Cover Method	Assembled
Termination Cover	With
Termination Cover Type	Non Lacing
Termination Method to Wire & Cable	Insulation Displacement (IDC)

Mechanical Attachment

Mounting Feature Plating Material	Nickel over Copper
Mounting Feature Material	Zinc
Mating Retention	With
Mating Retention Type	Latch Blocks
Connector Mounting Type	Panel Mount

Housing Features

Housing Material	Thermoplastic
Centerline (Pitch)	1.27 mm[.05 in]

Dimensions

Compatible Insulation Diameter (Max)	.91 mm
Compatible Insulation Diameter Range	.74 – .91 mm[.029 – .036 in]
Solid Wire Size	.05 – .1 mm ²
Wire Size	.05 mm ² , .08 – .09 mm ²

Usage Conditions

Operating Temperature Range	-55 – 105 °C[-67 – 221 °F]
-----------------------------	----------------------------

Operation/Application

Shielded	No
Circuit Application	Signal

Industry Standards

UL Flammability Rating	UL 94V-0
------------------------	----------

Packaging Features

Packaging Quantity	10
Packaging Method	Tube

Product Compliance

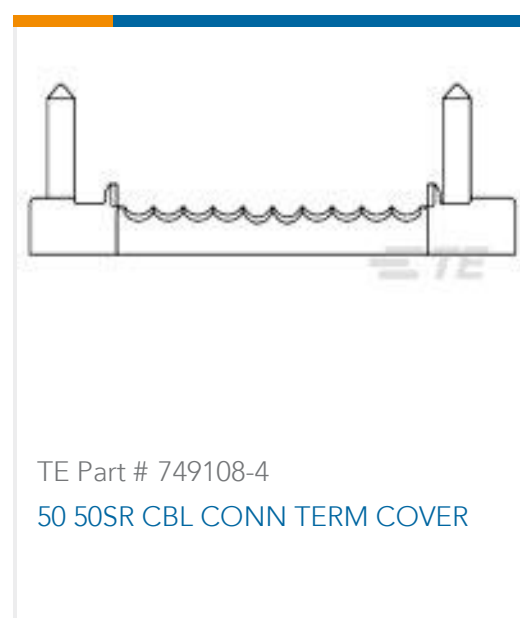
[For compliance documentation, visit the product page on TE.com>](#)

EU RoHS Directive 2011/65/EU	Compliant
EU ELV Directive 2000/53/EC	Compliant
China RoHS 2 Directive MIIT Order No 32, 2016	No Restricted Materials Above Threshold
EU REACH Regulation (EC) No. 1907/2006	Current ECHA Candidate List: JUNE 2023 (235) Candidate List Declared Against: JAN 2021 (211) Does not contain REACH SVHC
Halogen Content	Not Low Halogen - contains Br or Cl > 900 ppm.
Solder Process Capability	Not applicable for solder process capability

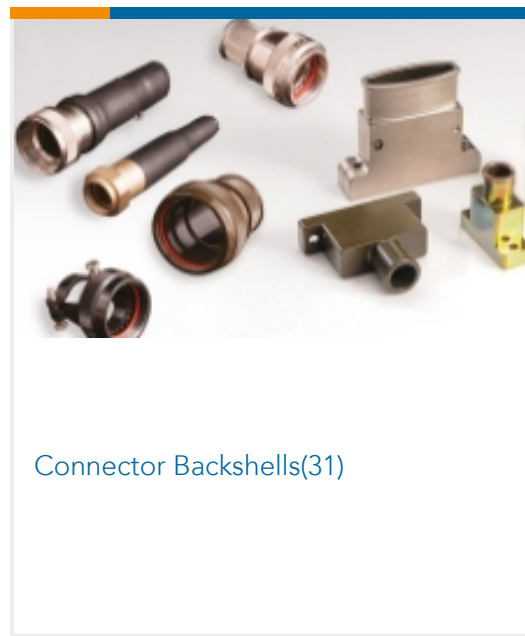
Product Compliance Disclaimer

This information is provided based on reasonable inquiry of our suppliers and represents our current actual knowledge based on the information they provided. This information is subject to change. The part numbers that TE has identified as EU RoHS compliant have a maximum concentration of 0.1% by weight in homogenous materials for lead, hexavalent chromium, mercury, PBB, PBDE, DBP, BBP, DEHP, DIBP, and 0.01% for cadmium, or qualify for an exemption to these limits as defined in the Annexes of Directive 2011/65/EU (RoHS2). Finished electrical and electronic equipment products will be CE marked as required by Directive 2011/65/EU. Components may not be CE marked. Additionally, the part numbers that TE has identified as EU ELV compliant have a maximum concentration of 0.1% by weight in homogenous materials for lead, hexavalent chromium, and mercury, and 0.01% for cadmium, or qualify for an exemption to these limits as defined in the Annexes of Directive 2000/53/EC (ELV). Regarding the REACH Regulation, the information TE provides on SVHC in articles for this part number is based on the latest European Chemicals Agency (ECHA) 'Guidance on requirements for substances in articles' posted at this URL: <https://echa.europa.eu/guidance-documents/guidance-on-reach>

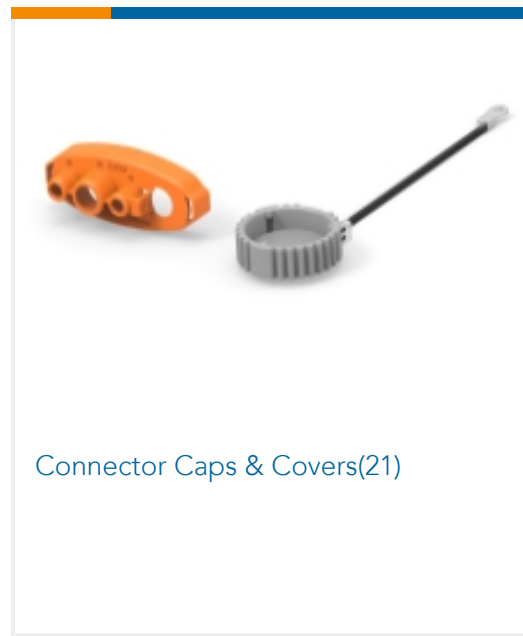
Compatible Parts



Also in the Series | [AMPLIMITE 0.50 Series](#)



Connector Backshells(31)



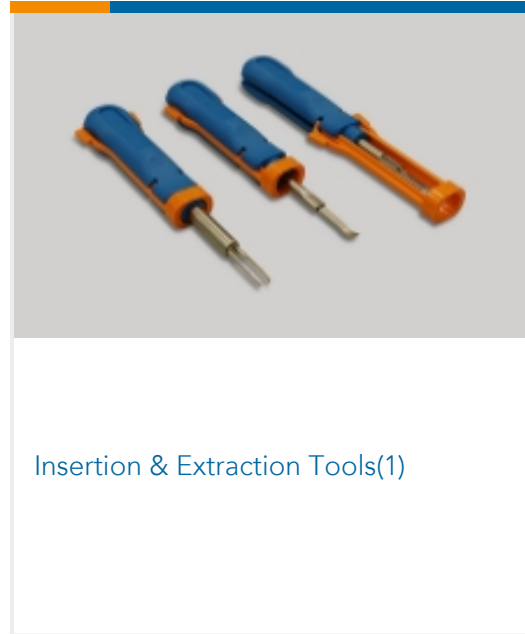
Connector Caps & Covers(21)



Connector Hardware(7)



IDC D-Sub Connectors(66)



Insertion & Extraction Tools(1)

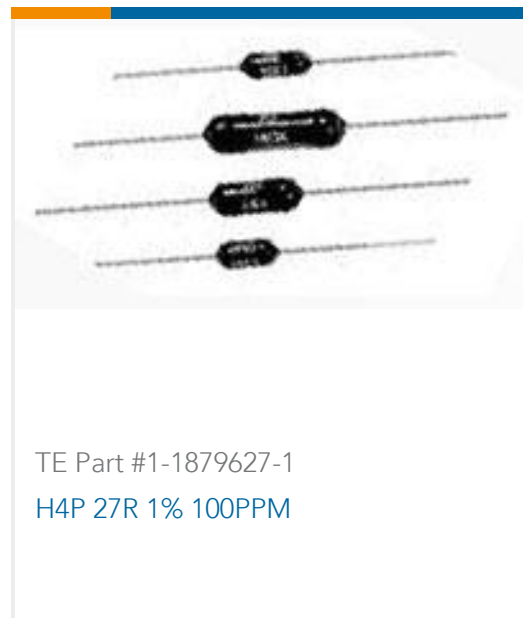


PCB D-Sub Connectors(172)

Customers Also Bought



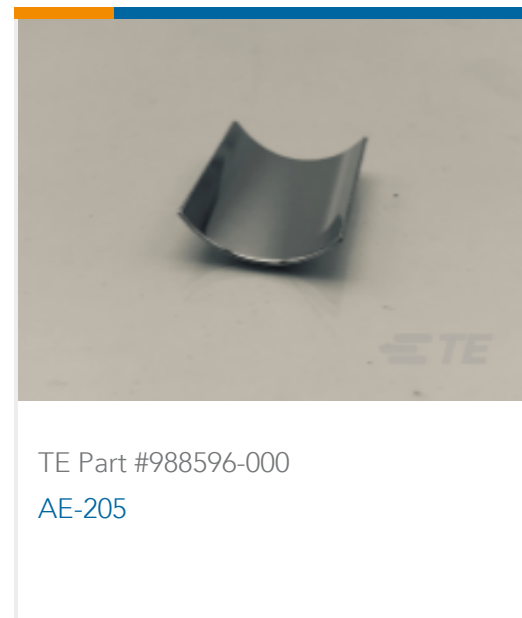
TE Part #1658611-3
15 POS HDF PLUG, AP



TE Part #1-1879627-1
H4P 27R 1% 100PPM



TE Part #T2040164101-000
HE-016-MC



TE Part #988596-000
AE-205



TE Part #9-1440002-6
SDT-S-105DMR2,000



TE Part #4-1672124-9
3100-20U5999C=2 POLE CONTACTOR



TE Part #5-749877-5
50 50SR PANEL MOUNT RCPT, ROHS



TE Part #9-1415043-1
MT78602

Documents

Product Drawings

[50 50SR PNL MNT PLUG ASSY, ROHS](#)

English

CAD Files

Customer View Model

[ENG_CVM_CVM_5-749879-5_J1.3d_igs.zip](#)

English

Customer View Model



[ENG_CVM_CVM_5-749879-5_J1.3d_stp.zip](#)

English

Customer View Model

[ENG_CVM_CVM_5-749879-5_J1.2d_dxf.zip](#)

English

3D PDF

3D

Customer View Model

[ENG_CVM_5-749879-5_J.3d_igs.zip](#)

English

Customer View Model

[ENG_CVM_5-749879-5_J.3d_stp.zip](#)

English

Customer View Model

[ENG_CVM_5-749879-5_J.2d_dxf.zip](#)

English

3D PDF

English

By downloading the CAD file I accept and agree to the [Terms and Conditions](#) of use.

Product Specifications

Application Specification

English

Agency Approvals

UL

English