

Distributed by:

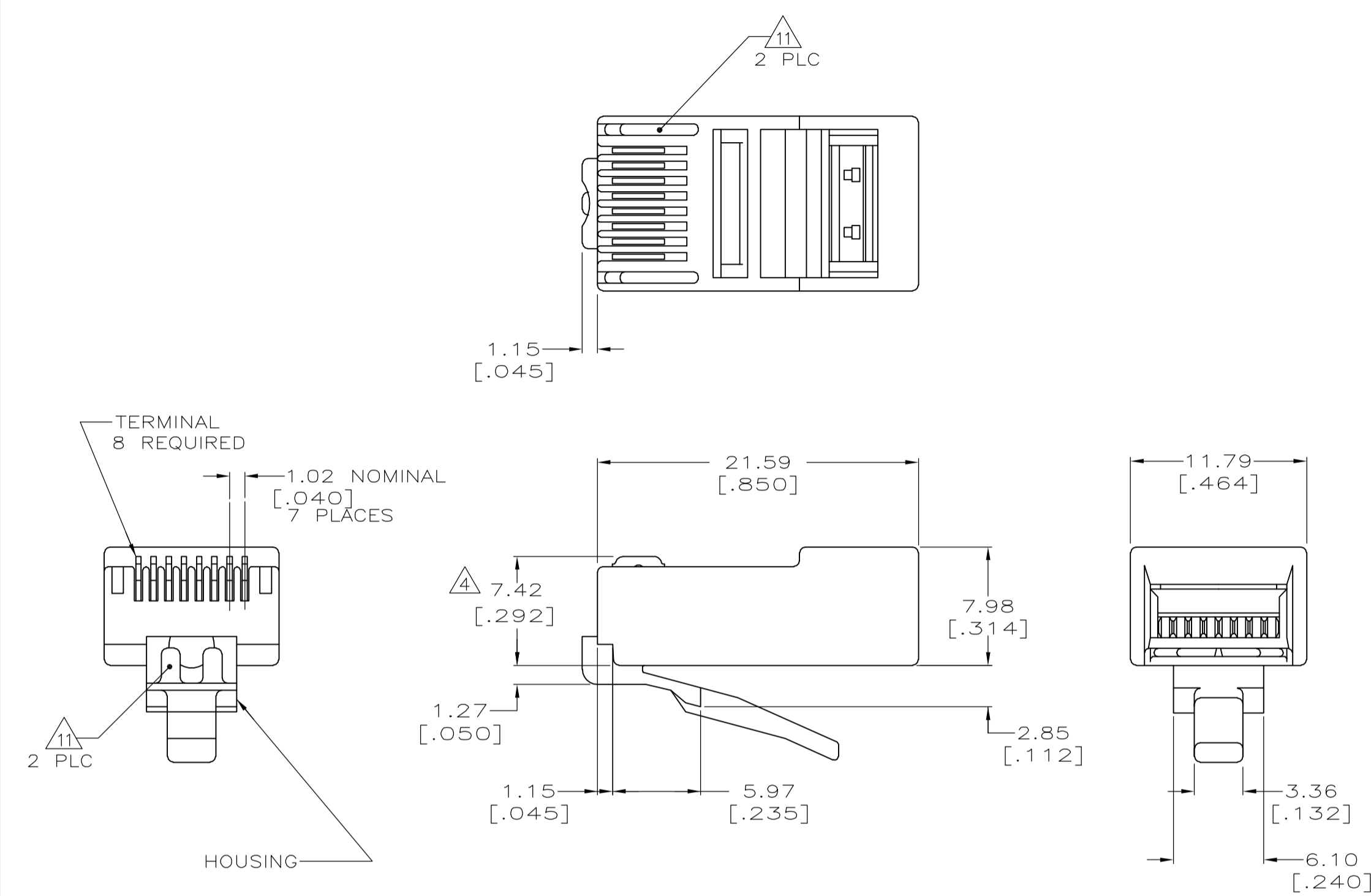
JAMECO[®]
ELECTRONICS

www.Jameco.com ♦ 1-800-831-4242

The content and copyrights of the attached
material are the property of its owner.

Jameco Part Number 949849

LOC		DIST		REVISIONS			
P	LTR	DESCRIPTION	DATE	DWN	APVD		
M		ECO-06-021606	13OCT06	JM	CD		



- 1 DIMENSIONS ARE MAXIMUM UNLESS OTHERWISE SPECIFIED.
- 2 MATERIAL: HOUSING—POLYCARBONATE,CLEAR. TERMINAL—0.36[.014] THICK PHOSPHOR BRONZE PLATED WITH 1.27 μ m[.000050] THICK GOLD IN LOCALIZED GOLD PLATE AREA, GOLD FLASH OVER THE REMAINDER, OVER 2.54 μ m[.000100] THICK NICKEL UNDERPLATE.
- 3. PLUG WILL ACCEPT 26 OR 28 AWG STRANDED WIRE HAVING A MAXIMUM INSULATION DIAMETER OF 0.89–0.99[.035–.039] AND A MAXIMUM OVAL CABLE JACKET OF 2.54 X 8.89[.100 X .350].
- 4 TERMINATED DIMENSION 6.15[.242] MAXIMUM.
- 6 PACKAGED 10,000 ASSEMBLIES PER CARTON.
- 7 PACKAGED 500 ASSEMBLIES PER CARTON.
- 8 PACKAGED 100 ASSEMBLIES PER CARTON, 20 CARTONS PER SHIPPER.
- 9 PACKAGED 25 ASSEMBLIES PER POLYBAG, 40 POLYBAGS PER CARTON.
- 11 REELED PRODUCT ON STRIP DOES NOT HAVE VOID CORING ILLUSTRATED ON THIS DRAWING.

9	5-554739-4
8	5-554739-3
7	5-554739-2
6/11	5-554739-1
REELED	554739-1
PACKAGED	PART NUMBER

THIS DRAWING IS A CONTROLLED DOCUMENT.		DWN	YTP/UTA	8-27-93	Tyco Electronics Corporation Harrisburg, PA 17105-3608
DIMENSIONS: mm [INCHES]		CHK	C.WHITT	9-15-93	
TOLERANCES UNLESS OTHERWISE SPECIFIED:		APVD	TONEY/MCGRATH	9-20-93	NAME
0 PLC	± -	PRODUCT SPEC		108-1163	MODULAR PLUG ASSEMBLY, 8 POSITION, FLAT OVAL CABLE
1 PLC	± -	APPLICATION SPEC		114-6016	
2 PLC	± -	MATERIAL		-	SIZE
3 PLC	± -	FINISH		-	CAGE CODE
4 PLC	± -	CUSTOMER DRAWING			DRAWING NO
ANGLES	± -	SCALE		4:1	RESTRICTED TO
		SHEET		1 of 1	REV
		REV		M	