

5-338314-2 ✓ ACTIVE



## AMPLIMITE

TE Internal #: 5-338314-2

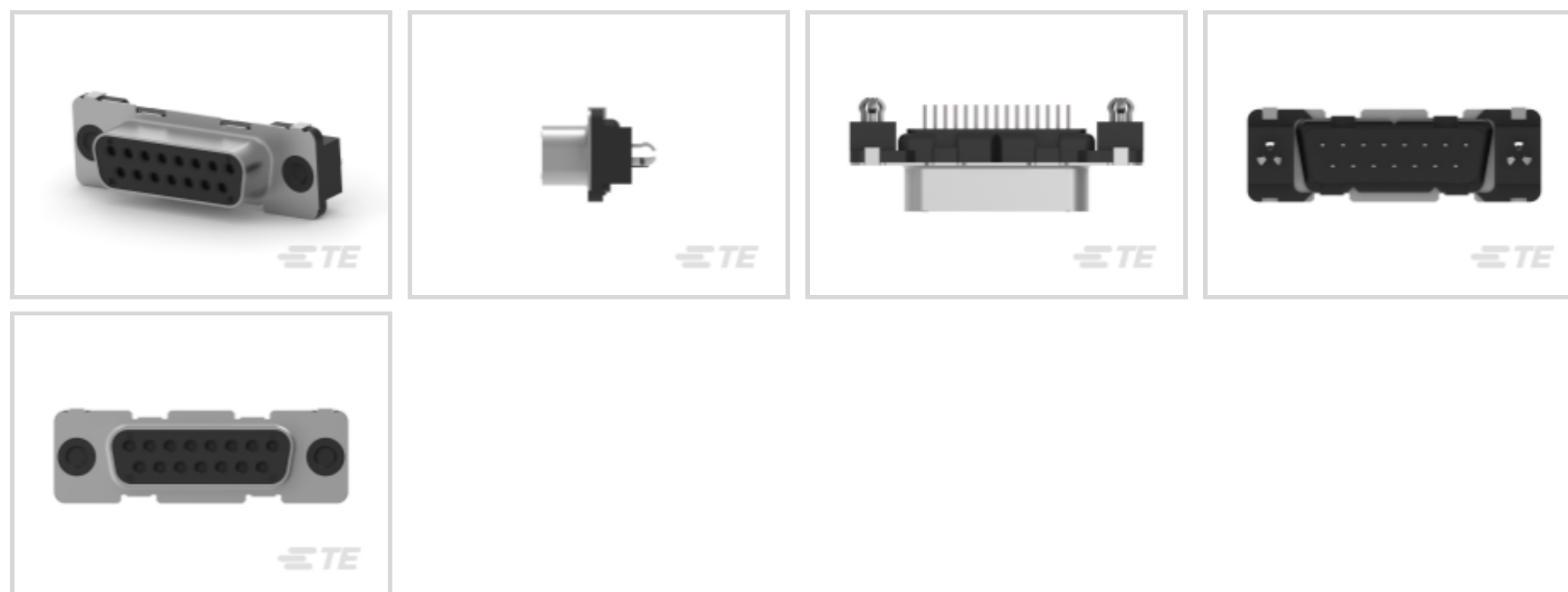
Receptacle, Cable-to-Board, 15 Position, 2.74 mm [.108 in]

Centerline, 2 Row, 2 Connector Shell Size, Round, Standard Profile,

PCB D-Sub Connectors

[View on TE.com >](#)

Connectors > D-Shaped Connectors > D-Sub Connectors > PCB D-Sub Connectors > D-Sub Receptacle Assembly: Vertical, Shell Size 2, 2.74mm



Connector & Housing Type: **Receptacle**

Connector System: **Cable-to-Board**

Number of Positions: **15**

Centerline (Pitch): **2.74 mm [.108 in]**

Number of Rows: **2**

[All D-Sub Receptacle Assembly: Vertical, Shell Size 2, 2.74mm \(44\)](#)

## Features

### Product Type Features

Shell Material Configuration	Front Metal Shell
Connector & Housing Type	Receptacle
Connector System	Cable-to-Board
Connector Shell Size	2
Connector & Contact Terminates To	Printed Circuit Board

### Configuration Features

Number of Positions	15
Number of Rows	2
PCB Mount Orientation	Vertical

### Body Features

Assembly Process Feature Material	Phosphor Bronze
Shell Plating Material	Tin



Primary Product Color	Black
-----------------------	-------

Connector Profile	Standard
-------------------	----------

### Contact Features

Contact Options	Installed
-----------------	-----------

30 µin

Contact Mating Area Plating Material	Gold
--------------------------------------	------

Contact Underplating Material	Nickel
-------------------------------	--------

PCB Contact Termination Area Plating Material	Tin
-----------------------------------------------	-----

Contact Base Material	Phosphor Bronze
-----------------------	-----------------

Contact Shape & Form	Round
----------------------	-------

Contact Current Rating (Max)	6 A
------------------------------	-----

### Termination Features

Rectangular Termination Post & Tail Thickness	.32 mm[.012 in]
-----------------------------------------------	-----------------

Rectangular Termination Post & Tail Width	.45 mm[.017 in]
-------------------------------------------	-----------------

Termination Post & Tail Length	3.2 mm[.126 in]
--------------------------------	-----------------

Termination Method to PCB	Through Hole - Solder
---------------------------	-----------------------

### Mechanical Attachment

Assembly Process Feature Plating Material	Tin
-------------------------------------------	-----

Mounting Hole Diameter	5 mm
------------------------	------

PCB Mount Retention	Without
---------------------	---------

Mating Retention	Without
------------------	---------

Mating Retention Type	Threaded Insert, 4-40 UNC
-----------------------	---------------------------

Connector Mounting Type	Board Mount
-------------------------	-------------

### Housing Features

Shell Material	Steel
----------------	-------

Housing Material	Glass-Filled Polyester
------------------	------------------------

Centerline (Pitch)	2.74 mm[.108 in]
--------------------	------------------

### Dimensions

PCB Thickness (Recommended)	1.6 mm[.063 in]
-----------------------------	-----------------

Row-to-Row Spacing	2.84 mm[.112 in]
--------------------	------------------

### Usage Conditions

Operating Temperature Range	-55 – 105 °C[-67 – 221 °F]
-----------------------------	----------------------------



### Operation/Application

Durability Rating	200 Cycles
Shielded	No
Circuit Application	Signal

### Industry Standards

Compatible With Approved Standards Products	DIN 41652
UL Flammability Rating	UL 94V-0

### Packaging Features

Packaging Quantity	45
Packaging Method	Tray

### Product Compliance

For compliance documentation, visit the product page on [TE.com](#)>

EU RoHS Directive 2011/65/EU	Compliant with Exemptions
EU ELV Directive 2000/53/EC	Compliant with Exemptions
China RoHS 2 Directive MIIT Order No 32, 2016	Restricted Materials Above Threshold
EU REACH Regulation (EC) No. 1907/2006	Current ECHA Candidate List: JUNE 2024 (241) Candidate List Declared Against: JUNE 2024 (241) SVHC > Threshold: Pb (.35% in Component Part) <b>Article Safe Usage Statements:</b> Do not eat, drink or smoke when using this product. Wash thoroughly after handling. Recycle if possible and dispose of the article by following all applicable governmental regulations relevant to your geographic location.
Halogen Content	Not Low Halogen - contains Br or Cl > 900 ppm.
Solder Process Capability	Wave solder capable to 265°C

#### Product Compliance Disclaimer

This information is provided based on reasonable inquiry of our suppliers and represents our current actual knowledge based on the information they provided. This information is subject to change. The part numbers that TE has identified as EU RoHS compliant have a maximum concentration of 0.1% by weight in homogenous materials for lead, hexavalent chromium, mercury, PBB, PBDE, DBP, BBP, DEHP, DIBP, and 0.01% for cadmium, or qualify for an exemption to these limits as defined in the Annexes of Directive 2011/65/EU (RoHS2). Finished electrical and electronic equipment products will be CE marked as required by Directive 2011/65/EU. Components may not be CE marked. Additionally, the part numbers that TE has identified as EU ELV compliant have a maximum concentration of 0.1% by weight in homogenous materials for lead, hexavalent chromium, and mercury, and 0.01% for cadmium, or qualify for an exemption to these limits as defined in the Annexes of Directive 2000/53/EC (ELV). Regarding the REACH Regulation, the information TE provides on SVHC in articles for this part number is based on the latest European Chemicals Agency (ECHA) 'Guidance on requirements for substances in articles' posted at this URL: <https://echa.europa.eu/guidance-documents/guidance-on-reach>

## Compatible Parts



TE Part # CAT-AM7-H3  
IDC D-Sub: Plug Assembly, Low Profile, Signal, 2.77 mm



TE Part # 1-745494-5  
15 HDE MS PLUG,22-26,LEAD FREE



TE Part # 1-745494-7  
PLUG ASSY,15P,HDE,MS


## Customers Also Bought



TE Part #5745968-2  
25 PLUG SP/FMS STD



TE Part #745967-2  
25 RCPT SP/FMS STD



TE Part #280372-2  
6P AMPMODU II SHRD HDR, ST, 0.38 AU



TE Part #350585-4  
06P UMNL PIN HDR ASSY V2 LF



TE Part #350786-1  
02P UMNL HDR ASSY 94VO



TE Part #368037-2  
PL 250 REC 0.30-0.56MM2 0.40X21. OPRE-TIN



TE Part #1-1879134-5  
RN 0603 13K7 0.1% 10PPM 1K RL



TE Part #8-1879125-7  
RN 0402 100R 0.1% 10PPM 5K RL



TE Part #66589-2  
TYPE VI PIN,MULTI-MATE,L.P.



TE Part #1-2176590-0  
RLC73PD 2E R75 1% 5K RL

## Documents

[Product Drawings](#)  
[15POS.HD20 REC.ASSY](#)

English

[CAD Files](#)

[3D PDF](#)

[3D](#)



**Customer View Model**

[ENG\\_CVM\\_CVM\\_5-338314-2\\_F\\_c-5-338314-2-f.2d\\_dxf.zip](#)

English

**Customer View Model**

[ENG\\_CVM\\_CVM\\_5-338314-2\\_F\\_c-5-338314-2-f.3d\\_igs.zip](#)

English

**Customer View Model**

[ENG\\_CVM\\_CVM\\_5-338314-2\\_F\\_c-5-338314-2-f.3d\\_stp.zip](#)

English

By downloading the CAD file I accept and agree to the [Terms and Conditions](#) of use.

**Product Specifications**

[Product Specification](#)

English