



Connectors > PCB Connectors > Card Edge Connectors > PCI & PCI Express Connectors



Connector System: **Board-to-Board**

Number of Positions: **98**

PCI Generation: **4**

Centerline (Pitch): **1 mm [.039 in]**

Contact Mating Area Plating Material Thickness: **[30 µin]**

Features

Product Type Features

Connector & Contact Terminates To	Printed Circuit Board
Connector System	Board-to-Board
Sealable	No

Configuration Features

Number of Positions	98
PCB Mount Orientation	Vertical
Ejector	Without

Body Features

Primary Product Color	Black
-----------------------	-------

Contact Features

Contact Mating Area Plating Material	Gold
Contact Underplating Material	Nickel
PCB Contact Termination Area Plating Material	Tin
Contact Base Material	Copper Alloy
Contact Current Rating (Max)	1.1 A
	30 µin

Mechanical Attachment

Connector Mounting Type	Board Mount
-------------------------	-------------



Housing Features

Centerline (Pitch)	1 mm [.039 in]
--------------------	----------------

Dimensions

PCB Thickness (Accepted)	1.57 mm
--------------------------	---------

Usage Conditions

Operating Temperature Range	-40 – 85 °C
-----------------------------	-------------

Operation/Application

Circuit Application	Signal
---------------------	--------

Industry Standards

Bus Type	PCI Express
PCI Generation	4

Packaging Features

Packaging Method	Box & Tray
------------------	------------

Product Compliance

[For compliance documentation, visit the product page on TE.com>](#)

EU RoHS Directive 2011/65/EU	Compliant
EU ELV Directive 2000/53/EC	Compliant
China RoHS 2 Directive MIIT Order No 32, 2016	No Restricted Materials Above Threshold
EU REACH Regulation (EC) No. 1907/2006	Current ECHA Candidate List: JUNE 2024 (241) Candidate List Declared Against: JUNE 2024 (241) Does not contain REACH SVHC
Halogen Content	Low Halogen - Br, Cl, F, I < 900 ppm per homogenous material. Also BFR/CFR/PVC Free
Solder Process Capability	Not reviewed for solder process capability

Product Compliance Disclaimer

This information is provided based on reasonable inquiry of our suppliers and represents our current actual knowledge based on the information they provided. This information is subject to change. The part numbers that TE has identified as EU RoHS compliant have a maximum concentration of 0.1% by weight in homogenous materials for lead, hexavalent chromium, mercury, PBB, PBDE, DBP, BBP, DEHP, DIBP, and 0.01% for cadmium, or qualify for an exemption to these limits as defined in the Annexes of Directive 2011/65/EU (RoHS2). Finished electrical and electronic equipment products will be CE marked as required by Directive 2011/65/EU. Components may not be CE marked. Additionally, the part numbers that TE has identified as EU ELV compliant have a maximum concentration of 0.1% by weight in homogenous materials for lead, hexavalent chromium, and mercury, and 0.01% for cadmium, or qualify for an exemption to these limits as defined in the Annexes of Directive 2000/53/EC (ELV). Regarding the REACH Regulation, the information TE provides

on SVHC in articles for this part number is based on the latest European Chemicals Agency (ECHA) 'Guidance on requirements for substances in articles' posted at this URL: <https://echa.europa.eu/guidance-documents/guidance-on-reach>

Compatible Parts



TE Part # 1734774-1
PCI EXP 3.1L 36 POS WHT G/F

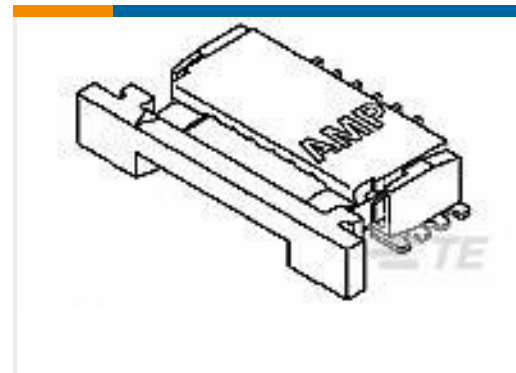
Customers Also Bought



TE Part #5747844-6
09 MSFL RCPT RA 318 (SL,FM,BL)



TE Part #2309407-2
DDR4 SODIMM 260P 4.0H STD



TE Part #2-84952-0
1MM FPC HORZ.BTTM CONT.ASS.20P



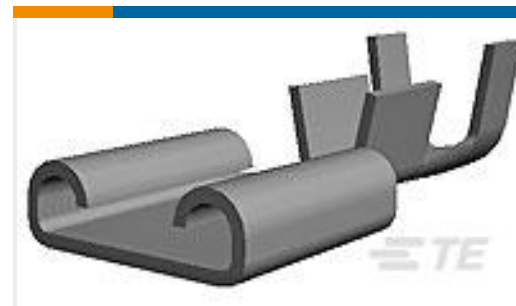
TE Part #1909763-1
UMCC MICRO-COAX RECPT GEN 1
HIGHER LEVEL



TE Part #1775485-1
Battery Holder, 3.6mm, BLK, low profile



TE Part #1-406541-1
MJ, INV, 1X1, 6PNL G, .100" ST, SN



TE Part #180363-2
250 FASTON, REC., 12-10 AWG, TPBR



TE Part #G-NICO-001
NI 1000 DIN 43760 KLB SOT23

Documents

CAD Files

3D PDF

3D

Customer View Model

[ENG_CVM_CVM_5-2337939-3_A.2d_dxf.zip](#)

English

Customer View Model

[ENG_CVM_CVM_5-2337939-3_A.3d_igs.zip](#)

English

Customer View Model

[ENG_CVM_CVM_5-2337939-3_A.3d_stp.zip](#)



English

By downloading the CAD file I accept and agree to the [Terms and Conditions](#) of use.

Product Specifications

[Product Specification](#)

English

[Product Specification](#)

English

Agency Approvals

[UL Report](#)

English