

5-2232346-1 ✓ ACTIVE



## SCSI Connectors

TE Internal #: 5-2232346-1

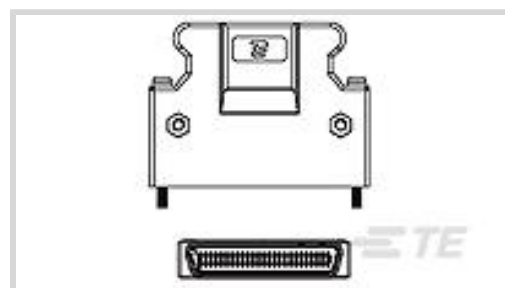
SCSI Connectors, Solder D-Sub Connectors, Plug, Cable-to-Board,

50 Position, 24 D-Sub Contact Size, Screw, 1.27mm [.05in]

Centerline

[View on TE.com >](#)

Connectors > D-Shaped Connectors > D-Sub Connectors > Solder D-Sub Connectors



Connector & Housing Type: **Plug**

Connector System: **Cable-to-Board**

Number of Positions: **50**

D-Sub Contact Size: **24**

Mating Retention: **Without**

## Features

### Product Type Features

Grade	Standard
Product Type	Connector
Wire/Cable Type	Round Jacketed Cable
Shell Type	All Plastic
Connector & Housing Type	Plug
Connector System	Cable-to-Board
Connector & Contact Terminates To	Printed Circuit Board

### Configuration Features

Preloaded	Yes
Number of Positions	50

### Body Features

Shell Material	Steel
Color	Black
Insert Material	PBT

### Contact Features

Contact Type	Pin
	30 $\mu$ m
Contact Mating Area Plating Material	Gold



Contact Underplating Material	Nickel
PCB Contact Termination Area Plating Material	Tin
Contact Base Material	Phosphor Bronze
D-Sub Contact Size	24
Contact Current Rating (Max)	1 A

#### Termination Features

Termination Method to Wire & Cable	Solder
------------------------------------	--------

#### Mechanical Attachment

Mounting Angle	Straight
Mating Retention	Without
Mating Retention Type	Screw
Connector Mounting Type	Fixing Screw

#### Housing Features

Housing Material	Thermoplastic
Centerline (Pitch)	1.27 mm [.05 in]

#### Dimensions

Wire Size	.05 – .2 mm <sup>2</sup>
-----------	--------------------------

#### Usage Conditions

Operating Temperature Range	-40 – 85 °C, -40 – 85 °C [-40 – 85 °F]
-----------------------------	--

#### Operation/Application

Circuit Application	Signal
---------------------	--------

#### Industry Standards

Insert Flammability Rating	UL 94V-0
UL Flammability Rating	UL 94V-0

#### Packaging Features

Packaging Method	Tray
------------------	------

#### Product Compliance

[For compliance documentation, visit the product page on TE.com>](#)

EU RoHS Directive 2011/65/EU	Compliant with Exemptions
EU ELV Directive 2000/53/EC	Compliant
China RoHS 2 Directive MIIT Order No 32, 2016	Restricted Materials Above Threshold



EU REACH Regulation (EC) No. 1907/2006

Current ECHA Candidate List: JUN 2020 (209)

Candidate List Declared Against: JAN 2020 (205)

Does not contain REACH SVHC

Halogen Content

Not Low Halogen - contains Br or Cl > 900 ppm.

Solder Process Capability

Not reviewed for solder process capability

Product Compliance Disclaimer

This information is provided based on reasonable inquiry of our suppliers and represents our current actual knowledge based on the information they provided. This information is subject to change. The part numbers that TE has identified as EU RoHS compliant have a maximum concentration of 0.1% by weight in homogenous materials for lead, hexavalent chromium, mercury, PBB, PBDE, DBP, BBP, DEHP, DIBP, and 0.01% for cadmium, or qualify for an exemption to these limits as defined in the Annexes of Directive 2011/65/EU (RoHS2). Finished electrical and electronic equipment products will be CE marked as required by Directive 2011/65/EU. Components may not be CE marked. Additionally, the part numbers that TE has identified as EU ELV compliant have a maximum concentration of 0.1% by weight in homogenous materials for lead, hexavalent chromium, and mercury, and 0.01% for cadmium, or qualify for an exemption to these limits as defined in the Annexes of Directive 2000/53/EC (ELV). Regarding the REACH Regulation, the information TE provides on SVHC in articles for this part number is based on the latest European Chemicals Agency (ECHA) 'Guidance on requirements for substances in articles' posted at this URL: <https://echa.europa.eu/guidance-documents/guidance-on-reach>

### Compatible Parts



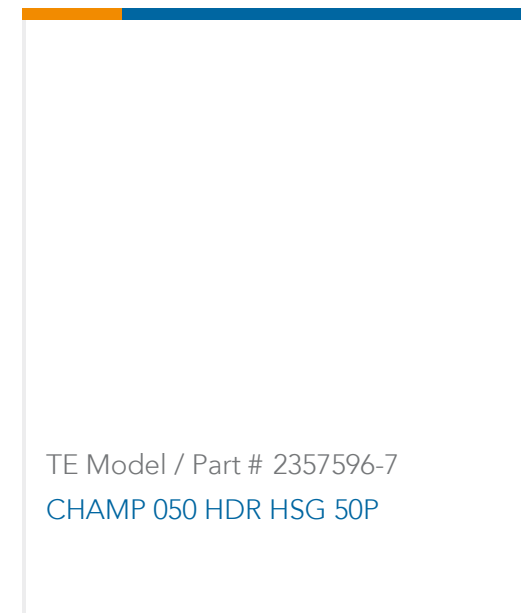
TE Model / Part # 5-2232516-1  
SCSI .050 REC ASS'Y 50P PB-FREE



TE Model / Part # 5-2232304-1  
SCSI .050 VERTICAL REC ASS'Y 50P PLASTIC



TE Model / Part # 5-2271085-4  
SCSI .050 REC ASS'Y 50P PB-FRE




TE Model / Part # 2357596-7  
CHAMP 050 HDR HSG 50P

### Also in the Series | SCSI Connectors



PCB D-Sub Connectors(14)



Solder D-Sub Connectors(7)

### Customers Also Bought



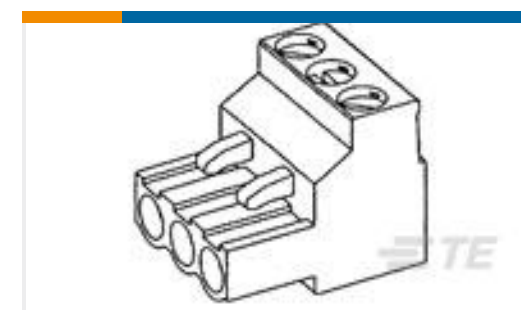
TE Model / Part #1-1744418-2  
12 POS EP 2.5 HDR, GLOW WIRE



TE Model / Part #4-1622824-5  
RL73H 3A R82 1% 4K RL



TE Model / Part #2-2232516-1  
SCSI .050 REC ASS'Y 20P PB-FRE



TE Model / Part #1546108-2  
EUROSTYLE TB PLUG GREY STKG 2P



TE Model / Part #3-2232516-1  
SCSI .050 REC ASS'Y 26P PB-FREE



TE Model / Part #5-2232516-1  
SCSI .050 REC ASS'Y 50P PB-FREE



TE Model / Part #1744544-8  
EP II TPA 08P, BLACK



TE Model / Part #1742370-2  
FASTON 187 FLAG REC 14-18AWG  
TPBR



TE Model / Part #770091-1  
09P .093 COMM P&S RECPT HSG

## Documents

### Product Drawings

[SCSI .050 PLUG ASS'Y 50P](#)

English

### CAD Files

[3D PDF](#)

3D

Customer View Model

[ENG\\_CVM\\_CVM\\_5-2232346-1\\_A.2d\\_dxf.zip](#)

English

Customer View Model

[ENG\\_CVM\\_CVM\\_5-2232346-1\\_A.3d\\_igs.zip](#)

English

Customer View Model

[ENG\\_CVM\\_CVM\\_5-2232346-1\\_A.3d\\_stp.zip](#)

English

By downloading the CAD file I accept and agree to the [Terms and Conditions](#) of use.

## Product Specifications



### Product Specification

English

---

### Product Environmental Compliance

#### TE Material Declaration

English