



Alcoswitch | Alcoswitch FSMIJ

TE Internal #: 5-2213818-1

Tactile Switches, Rectangular Actuator Style, Off (On), Brass, Silver,
50mA Contact Current Rating, Alcoswitch FSMIJ

[View on TE.com >](#)

Switches > Tactile Switches



Actuator Style: **Rectangular**

Operating Function: **Off (On)**

Contact Base Material: **Brass**

Switch Contact Plating Material: **Silver**

Contact Current Rating: **50 mA**

Features

Product Type Features

Illuminated	With
Actuator Style	Rectangular

Configuration Features

Operating Function	Off (On)
Configuration (Pole-Throw)	Single Pole - Single Throw
Number of Actuators	Single

Body Features

Actuator Force	520 g[18.34 oz]
Product Orientation	Vertical
Actuator Color	Brown

Contact Features

Contact Base Material	Brass
Switch Contact Plating Material	Silver
Contact Current Rating	50 mA

Termination Features

Termination Method to Printed Circuit Board	Through Hole - Solder
---	-----------------------

Housing Features

--	--



Process Sealed	No
----------------	----

Usage Conditions

Operating Temperature Range	-25 - 70 °C
-----------------------------	-------------

Product Compliance

[For compliance documentation, visit the product page on TE.com>](#)

EU RoHS Directive 2011/65/EU	Compliant
EU ELV Directive 2000/53/EC	Not Yet Reviewed
China RoHS 2 Directive MIIT Order No 32, 2016	No Restricted Materials Above Threshold
EU REACH Regulation (EC) No. 1907/2006	Current ECHA Candidate List: JAN 2024 (240) Candidate List Declared Against: JUN 2018 (191) SVHC > Threshold: Not Yet Reviewed
Halogen Content	Not Yet Reviewed for halogen content
Solder Process Capability	Wave solder capable to 265°C

Product Compliance Disclaimer

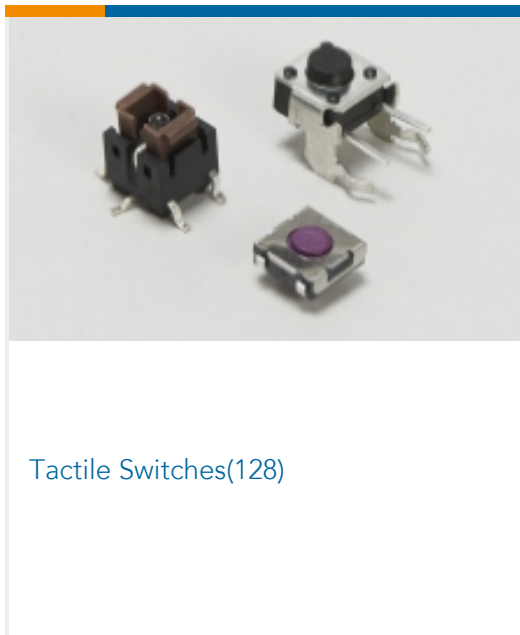
This information is provided based on reasonable inquiry of our suppliers and represents our current actual knowledge based on the information they provided. This information is subject to change. The part numbers that TE has identified as EU RoHS compliant have a maximum concentration of 0.1% by weight in homogenous materials for lead, hexavalent chromium, mercury, PBB, PBDE, DBP, BBP, DEHP, DIBP, and 0.01% for cadmium, or qualify for an exemption to these limits as defined in the Annexes of Directive 2011/65/EU (RoHS2). Finished electrical and electronic equipment products will be CE marked as required by Directive 2011/65/EU. Components may not be CE marked. Additionally, the part numbers that TE has identified as EU ELV compliant have a maximum concentration of 0.1% by weight in homogenous materials for lead, hexavalent chromium, and mercury, and 0.01% for cadmium, or qualify for an exemption to these limits as defined in the Annexes of Directive 2000/53/EC (ELV). Regarding the REACH Regulations, TE's information on SVHC in articles for this part number is still based on the European Chemical Agency (ECHA) 'Guidance on requirements for substances in articles' (Version: 2, April 2011), applying the 0.1% weight on weight concentration threshold at the finished product level. TE is aware of the European Court of Justice ruling of September 10th, 2015 also known as O5A (Once An Article Always An Article) stating that, in case of 'complex object', the threshold for a SVHC must be applied to both the product as a whole and simultaneously to each of the articles forming part of its composition. TE has evaluated this ruling based on the new ECHA "Guidance on requirements for substances in articles" (June 2017, version 4.0) and will be updating its statements accordingly.

Compatible Parts

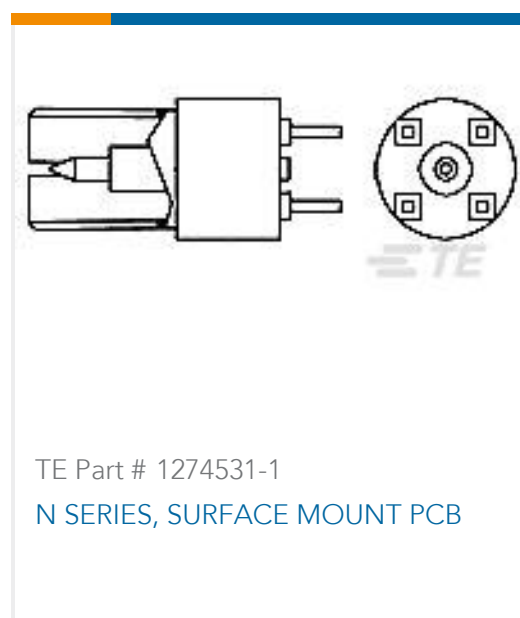
 <p>TE Part # 5-2213819-3 6X6 ILL TACT SMT 520GF LI SOFT ORANGE</p>	 <p>TE Part # 2-2213819-9 6X6 ILL TACT SMT 160GF HI SOFT ORANGE</p>	 <p>TE Part # 4-2213819-5 6X6 ILL TACT SMT 260GF HI SOFT ORANGE</p>	 <p>TE Part # 4-2213819-8 6X6 ILL TACT SMT 260GF HI COLD WHITE</p>
--	---	--	---



Also in the Series | Alcoswitch FSMIJ



Customers Also Bought





Documents

Product Drawings

[6X6 ILL TACT THT 520GF LI YELLOW GREEN](#)

English

CAD Files

[3D PDF](#)

3D

Customer View Model

[ENG_CVM_CVM_5-2213818-1_B.2d_dxf.zip](#)

English

Customer View Model

[ENG_CVM_CVM_5-2213818-1_B.3d_igs.zip](#)

English

Customer View Model

[ENG_CVM_CVM_5-2213818-1_B.3d_stp.zip](#)

English

By downloading the CAD file I accept and agree to the [Terms and Conditions](#) of use.

Datasheets & Catalog Pages

[SWITCHES_CORE_PROGRAM_CATALOG](#)

English